

# Horizontal Multistage Pump

---

CHL/CHB/CHM/CHLF(T) Pump Catalog

---



**Main office:**

Add: No.6 Building, No.2999 Hutai Av ,Baoshan district, SHANGHAI, 200062, CHINA

E-mail: [infor@aikonchina.com](mailto:infor@aikonchina.com)

Website: [www.aikonchina.com](http://www.aikonchina.com)

**Moscow office:**

Add: Moscow, Volokolamsk highway, 73, office 210

Tel: +7-499-703-35-23 +7-800-333-10-74

E-mail: [aikon@aikonrussia.ru](mailto:aikon@aikonrussia.ru)

Website: [www.aikonrussia.ru](http://www.aikonrussia.ru)

**THIANTHONG INDUSTRY (THAILAND) CO.,LTD**

Website: [www.energyhealth2002.com](http://www.energyhealth2002.com)

# CHL/CHB/CHLF/CHLF(T)

## STAINLESS STEEL HORIZONTAL MULTI-STAGE CENTRIFUGAL PUMP



### Applications and conditions

CHL, CHLF, CHLF(T) are non-self-priming light horizontal multistage centrifugal pump(abbr. as pump in the following). They are efficient, low noise, little corrosive tolerance, compact structure, good looking, small volume, light weight, etc.

### Applications

Pumped liquids: Low viscosity, neutral, non-explosive liquids, not containing solid particles or fibres. The liquid must not attack the pump materials chemically. (Oil or the liquid mainly consisted of oil can be pumped by special type of pumps);

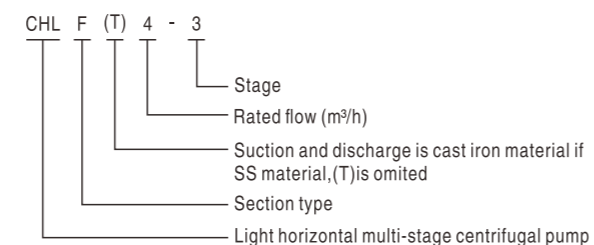
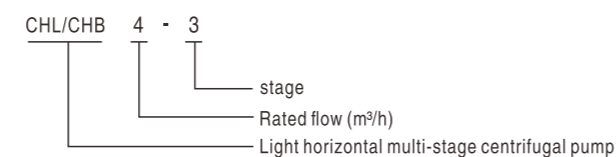
- Circulation for air condition system;
- Cooling system;
- Water treatment, purification system;
- Industry cleaning system;
- Liquid transferring, circulation, boosting;
- Hot or cold water;
- Feed proportioning system of food, drinking, agriculture, etc.

### Operation conditions

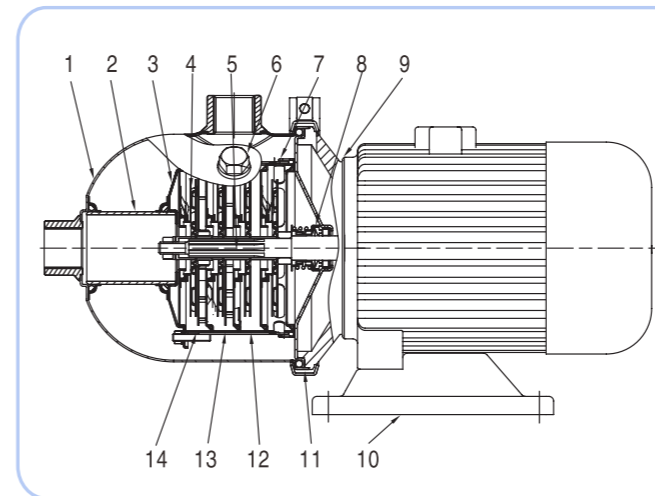
- Liquid temperature: Normal temperature type -15 °C ~+700°C ; Hot water type -15 °C~+110 °C ;
- Flow range: 0.5~28m³/h;
- Max pressure: 10 bar;
- Liquid pH range: pH5~9;
- Max ambient temperature: +40°C;
- The Max suction pressure is limited by max operating pressure;
- Min inlet pressure: Refer to CHL catalogue.

Caution: When pumping liquids with a density and/or viscosity higher than that of water, use motors with correspondingly higher outputs, if required.

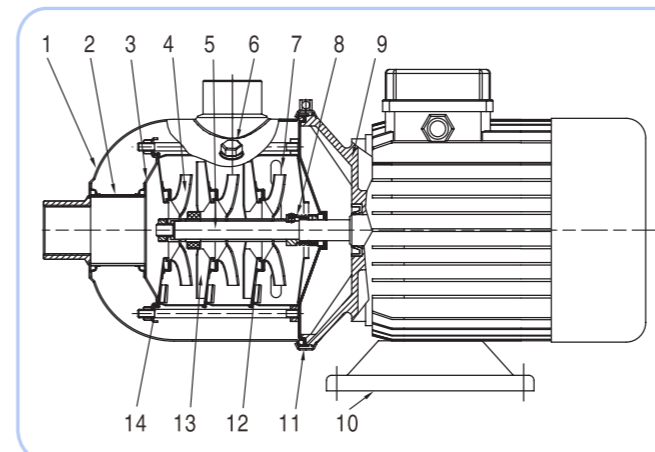
### Definition of Model



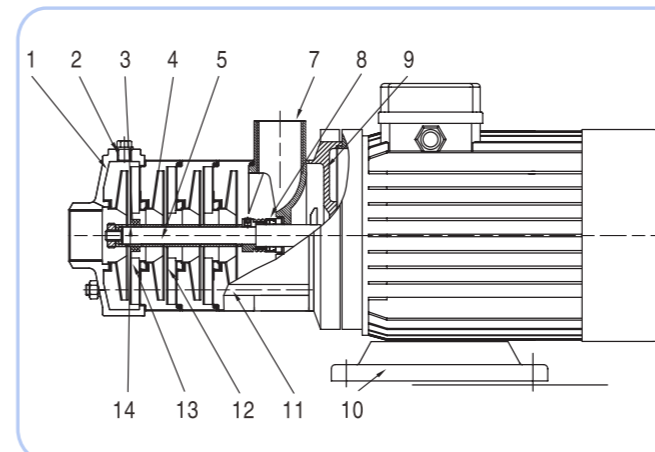
### Section drawing CHL/CHB2,4



### Section drawing CHL8,12,16,20/CHB8,12



### Section drawing CHLF,CHLF(T)



### Material CHL

NO.	Name	Material	AISI/ASTM
1	Pressure tank	Stainless steel	AISI304
2	Connecting pipe	Stainless steel	AISI304
3	Gland subassembly	Stainless steel	AISI304
4	Impeeller	Stainless steel	AISI304
5	Shaft	Stainless steel	AISI304
6	Screw plug	Stainless steel	AISI304
7	Outlet fluid director	Stainless steel	AISI304
8	Mechanical seal		
9	End cover of motor	Aluminium alloy	
10	Base	Steel plate	AISI1015
11	Anchor ear	Stainless steel	AISI304
12	Fluid director	Stainless steel	AISI304
13	Bearing fluid director	Stainless steel	AISI304
14	Inlet fluid director	Stainless steel	AISI304

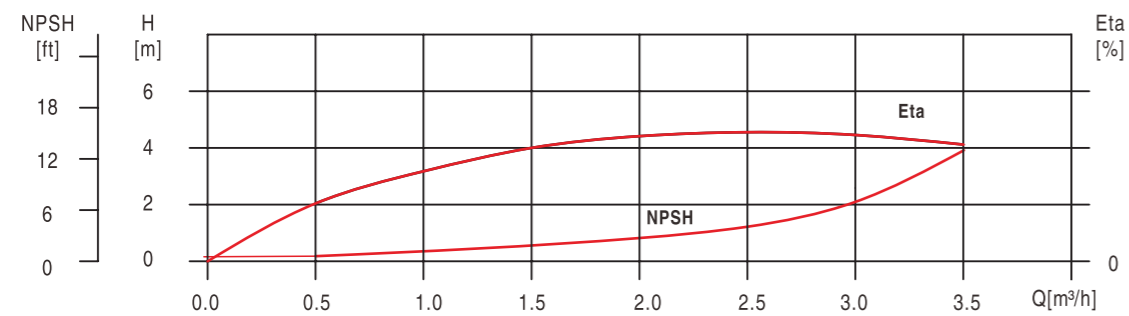
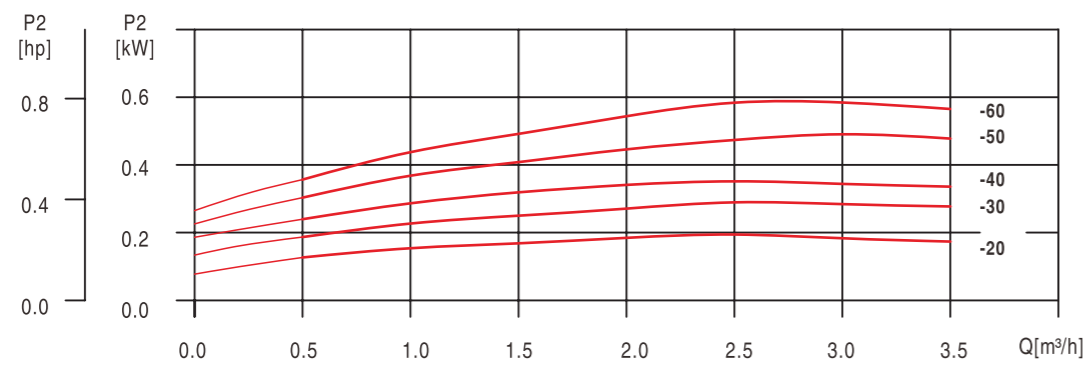
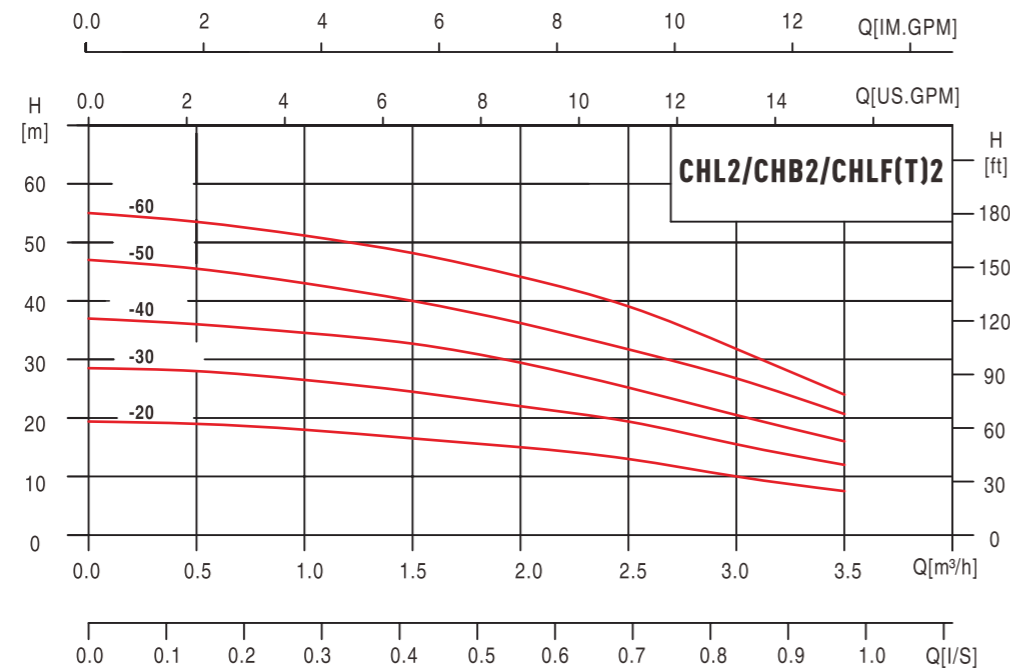
### Material CHLF,CHLF(T)

NO.	Name	Material	AISI/ASTM
2	screw plug	Stainless steel	AISI304
3	bearing	Tungsten carbide	
4	impeller	Stainless steel	AISI304
5	shaft	Stainless steel	AISI304
8	mechanical seal		
9	end cover of the motor	Aluminium alloy	
10	base	Steel plate	AISI1015
11	pull rod	Stainless steel	AISI304
12	fluid director	Stainless steel	AISI304
13	bearing fluid director	Stainless steel	AISI304
14	jacket	Stainless steel	AISI304
CHLF			
1	water-in boby	Stainless steel	AISI304
7	water-out body	Stainless steel	AISI304
CHLF(T)			
1	water-in boby	Cast iron	ASTM25B
7	water-out body	Cast iron	ASTM25B

# CHL2/CHB2/CHLF(T)2, 50Hz

## ● Performance curve

2900rpm

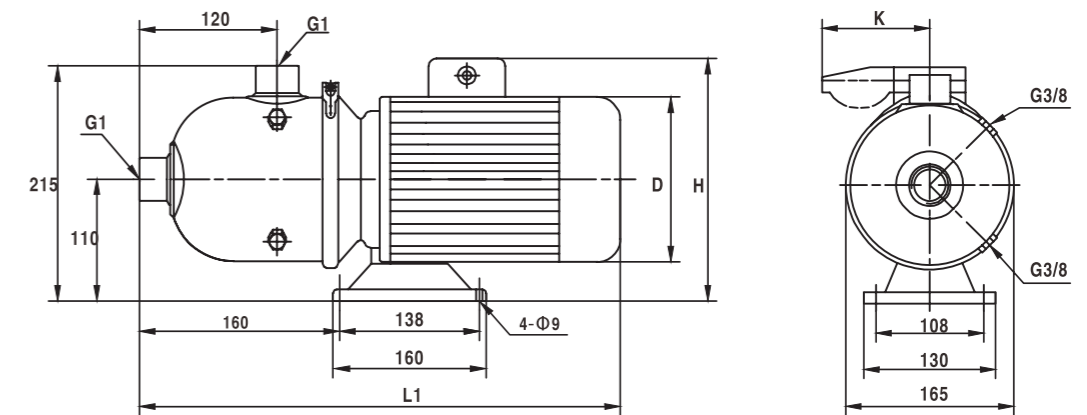


## ● Performance table

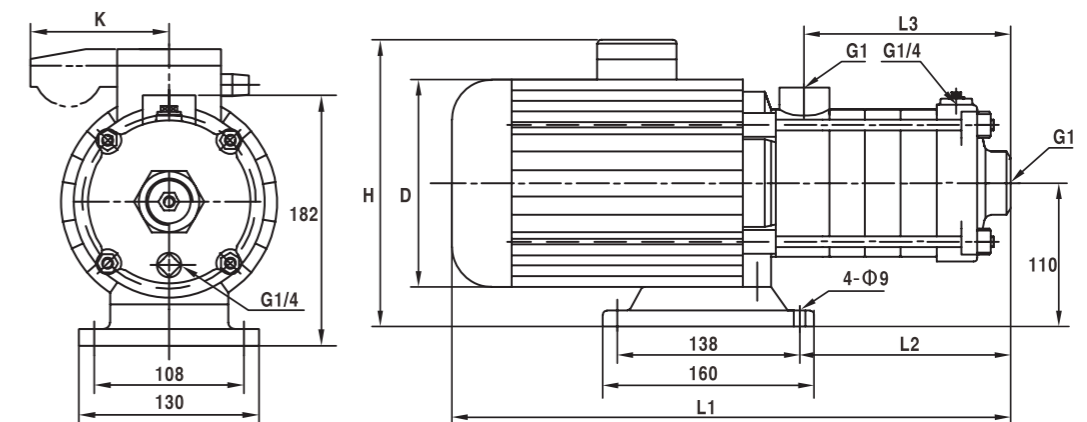
MODEL	POWER (kW)	Q (m³/h)	0.5	1.0	1.5	2.0	2.5	3.0	3.5
CHL2-2 CHB2-2 CHLF(T)2-2	0.37	H (m)	19	18	16.5	15	13	10	7.5
CHL2-3 CHB2-3 CHLF(T)2-3	0.37		28	26.5	24.5	22	19	15.5	12
CHL2-4 CHB2-4 CHLF(T)2-4	0.55		36	34.5	33	29	25	20.5	16
CHL2-5 CHB2-5 CHLF(T)2-5	0.55		45.5	43	40	36	31.5	26.5	20.5
CHL2-6 CHB2-6 CHLF(T)2-6	0.75		53.5	51	48	44	39	32	24

## ● Installation sketch

### CHL2/CHB2



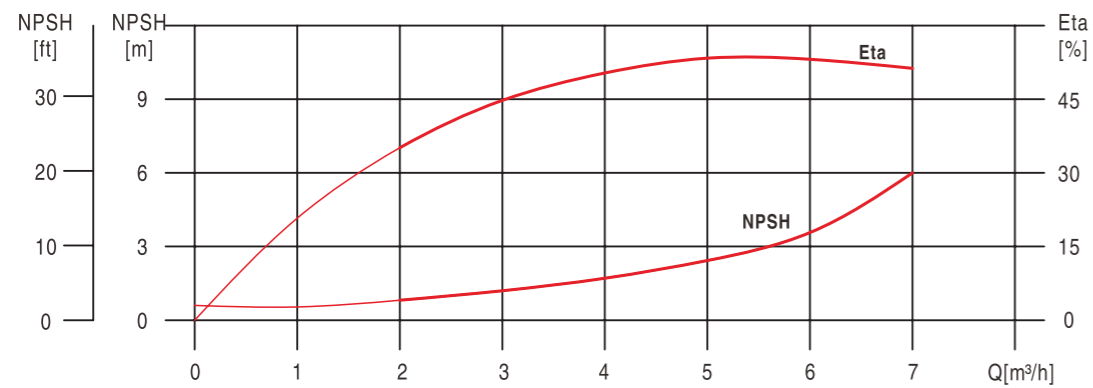
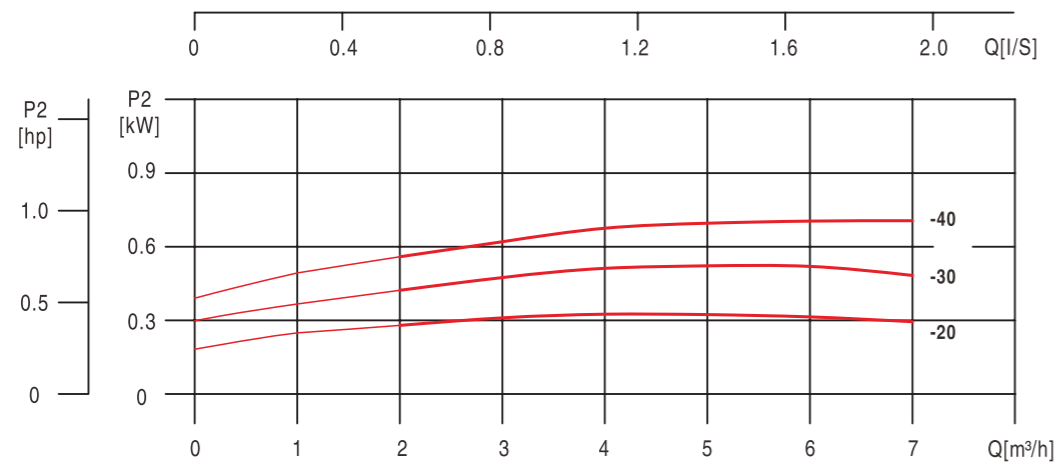
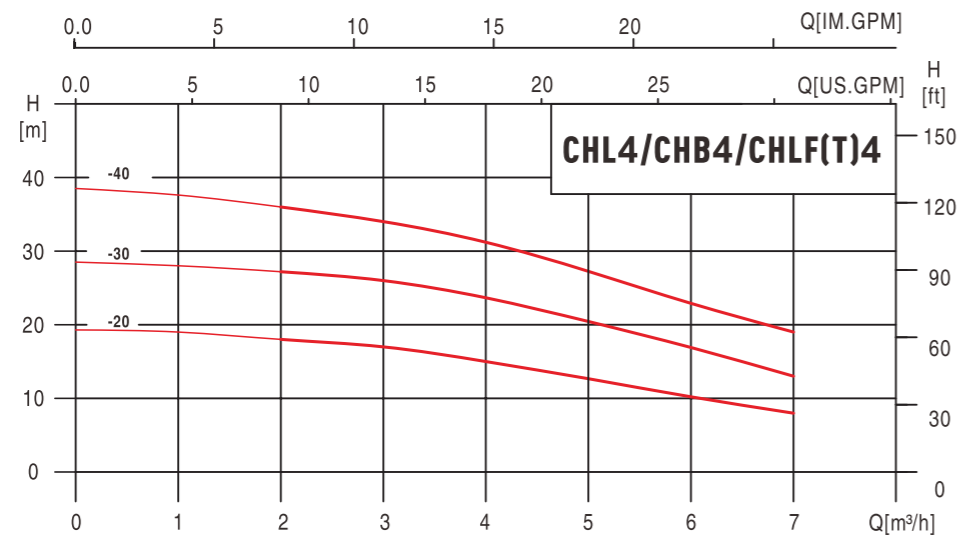
### CHLF(T)2



# CHL4/CHB4/CHLF(T)4, 50Hz

## ● Performance curve

2900rpm

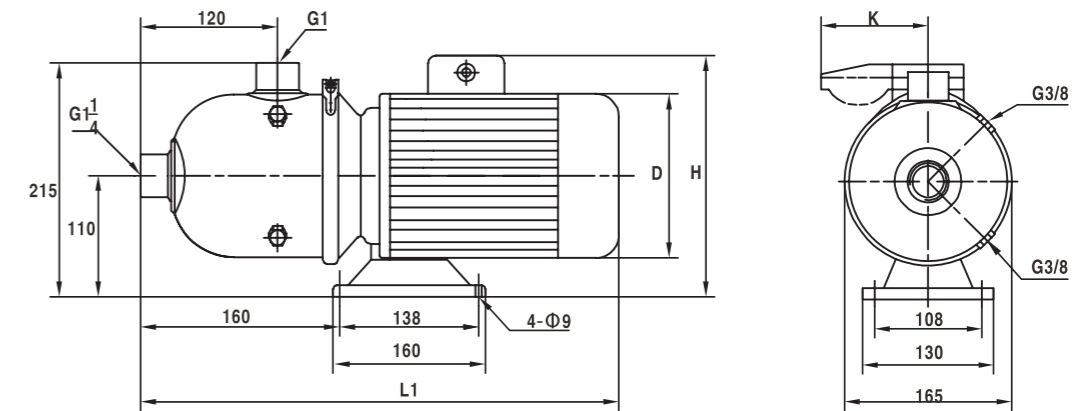


## ● Performance table

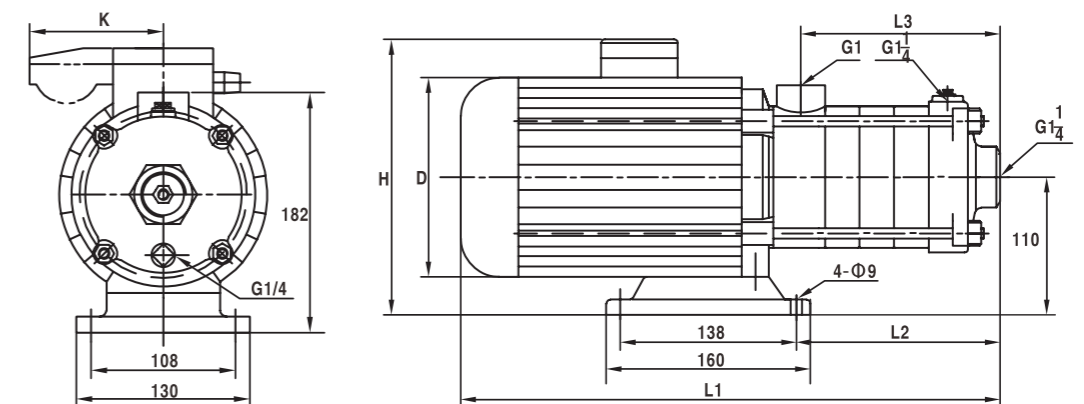
MODEL	POWER (kW)	Q (m³/h)	1	2	3	4	5	6	7
CHL4-2 CHB4-2 CHLF(T)4-2	0.37	H (m)	19	18	17	15	12.5	10	8
CHL4-3 CHB4-3 CHLF(T)4-3	0.55		28	27	26	23.5	20.5	17	13
CHL4-4 CHB4-4 CHLF(T)4-4	0.75		37.5	36	34	31	27	23	19
CHB4-5 CHLF(T)4-5	1.1		47	45	42.5	39	34	29	23
CHB4-6 CHLF(T)4-6	1.1		56	54	51	47	41.5	35.5	28

## ● Installation sketch

### CHL4/CHB4



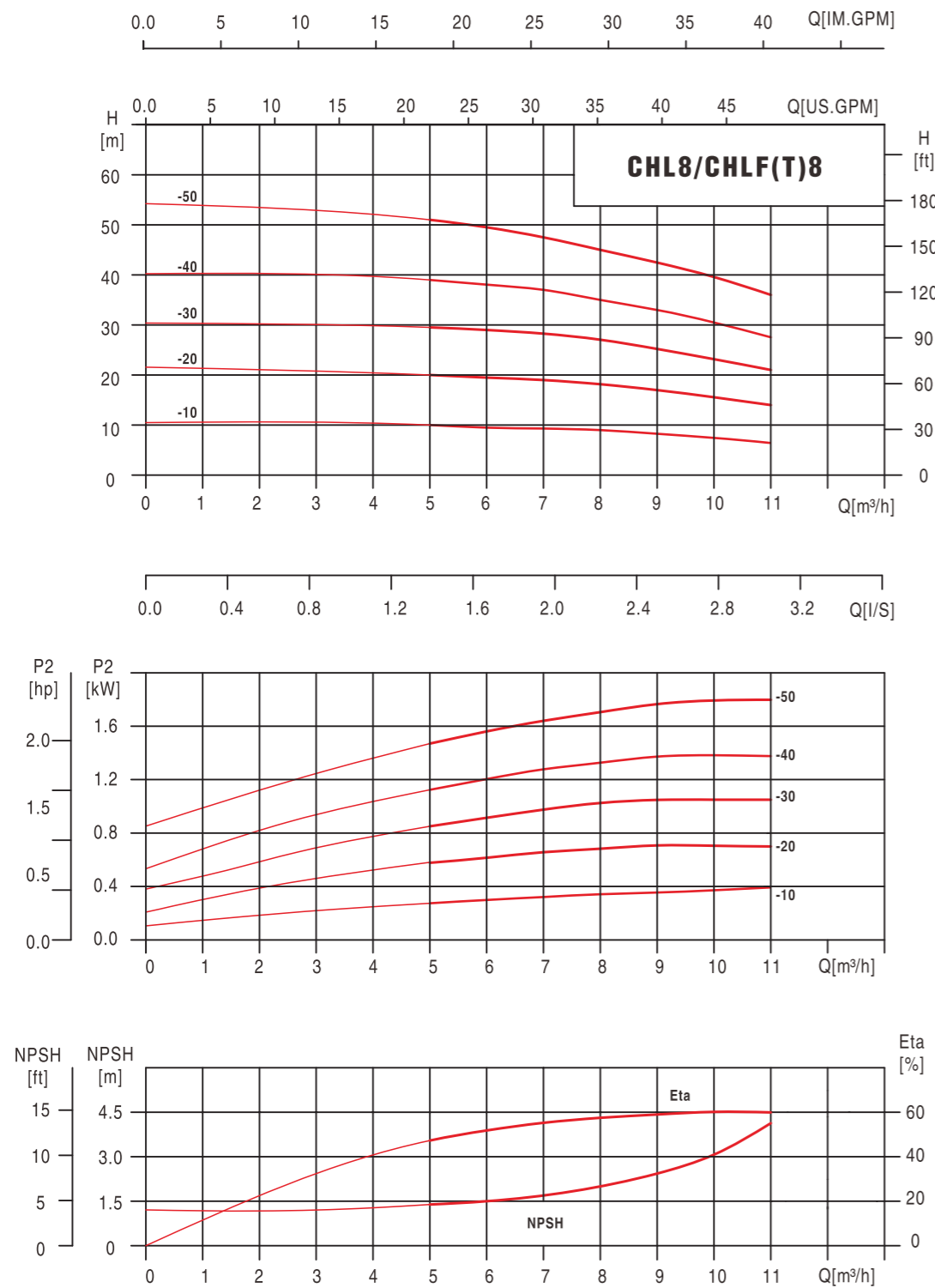
### CHLF(T)4



# CHL8/CHLF(T)8, 50Hz

## ● Performance curve

2900rpm

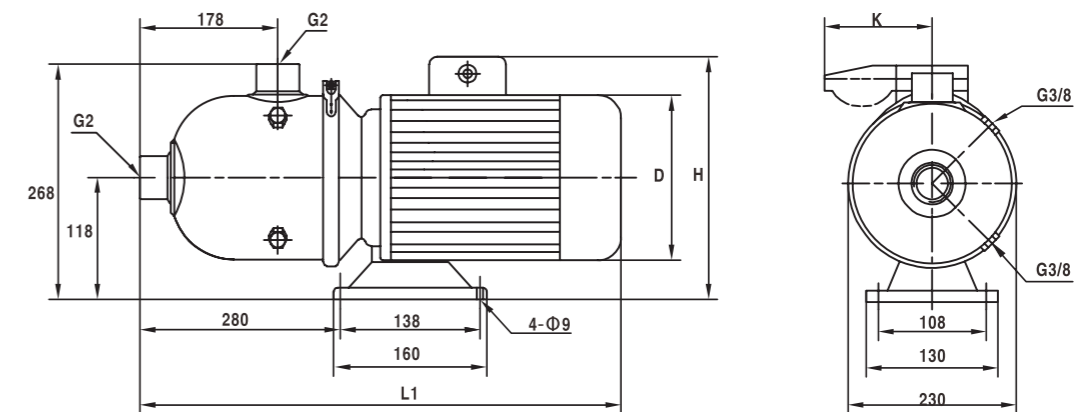


## ● Performance table

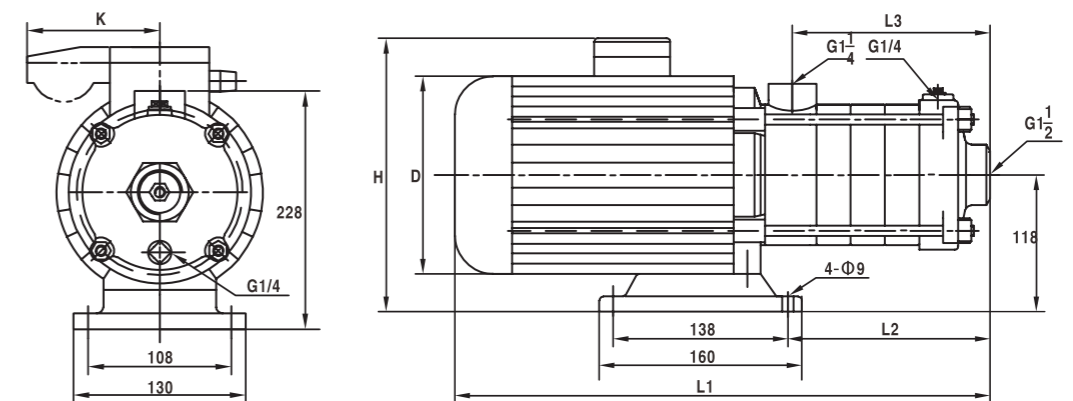
MODEL	POWER (kW)	Q (m³/h)	5	6	7	8	9	10	11
CHL8-1 CHLF(T)8-1	0.75	H (m)	10	9.5	9.3	9	8	7.5	7
CHL8-2 CHLF(T)8-2	0.75		20	19.5	19	18	17	15.5	14
CHL8-3 CHLF(T)8-3	1.1		29.5	29	28	27	25	23	21
CHL8-4 CHLF(T)8-4	1.5		39	38	37	35	33	30.5	27.5
CHL8-5 CHLF(T)8-5	2.2		51	49.5	47.5	45	42.5	39.5	36

## ● Installation sketch

### CHL8



### CHLF(T)8



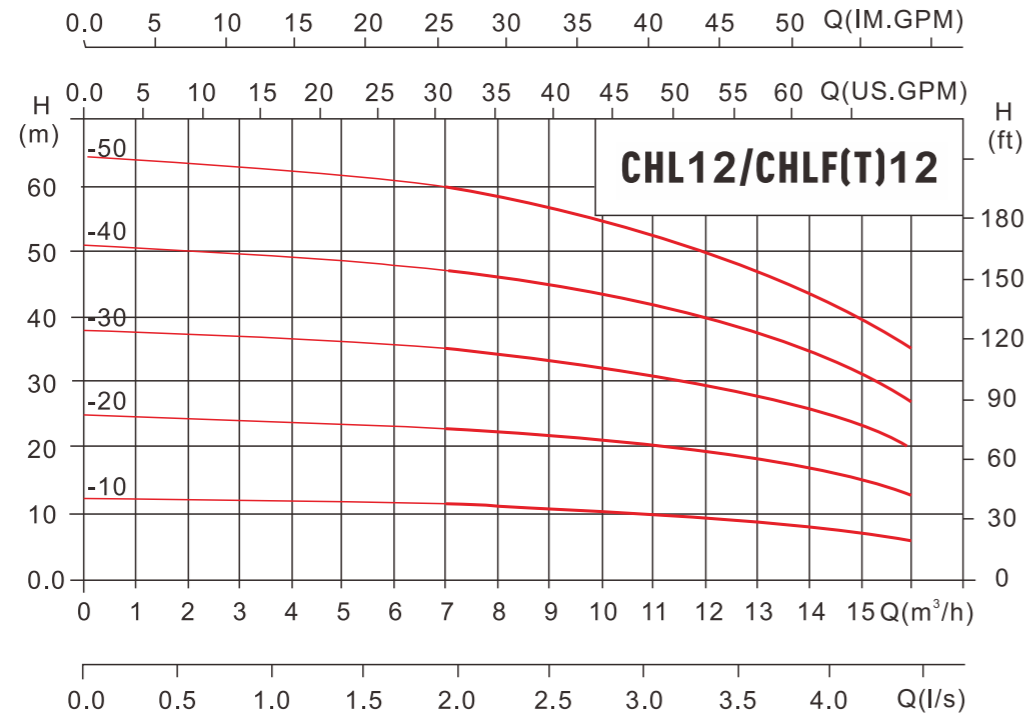
# CHL12/CHLF(T)12, 50Hz

## ● Performance curve

2900rpm

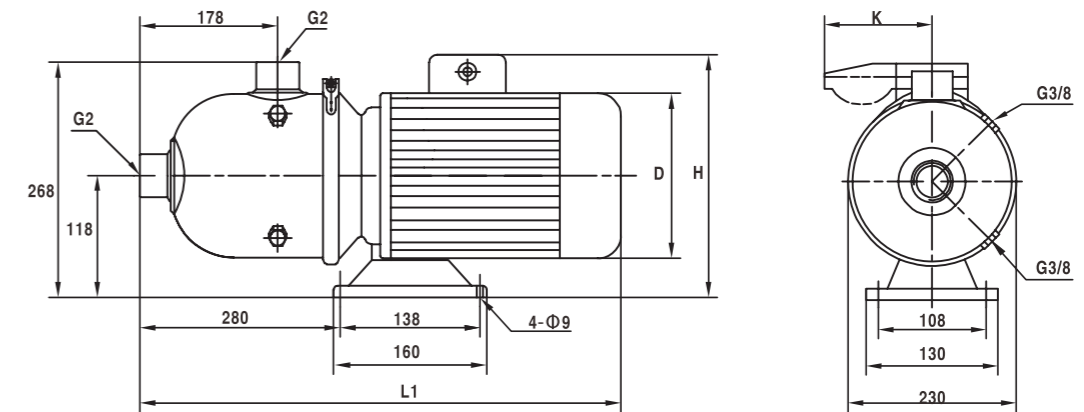
## ● Performance table

Model	Driving motor		Q (m <sup>3</sup> /h)	7	8	9	10	11	12	13	14	15	16
	(kw)	(hp)											
CHL12-1 CHLF(T)12-1	0.75	1	H (m)	11.5	11.2	11	10.5	10	9.5	9	8	7	6
CHL12-2 CHLF(T)12-2	1.2	1.6		23	22.5	22	21.5	20.5	19.5	18.5	17	15.5	13
CHL12-3 CHLF(T)12-3	1.8	2.4		35	34.5	33.5	32.5	31	29.5	28	26	23.5	20
CHL12-4 CHLF(T)12-4	2.4	3.3		47	46	45	43.5	41.5	39.5	37.5	35	31.5	27.5
CHL12-5 CHLF(T)12-5	3	4		60	58	56.5	55	52.5	50	47	44	40	35

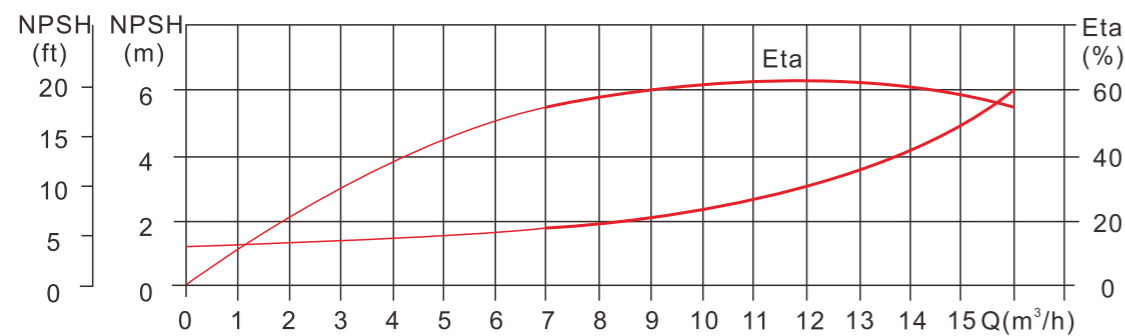
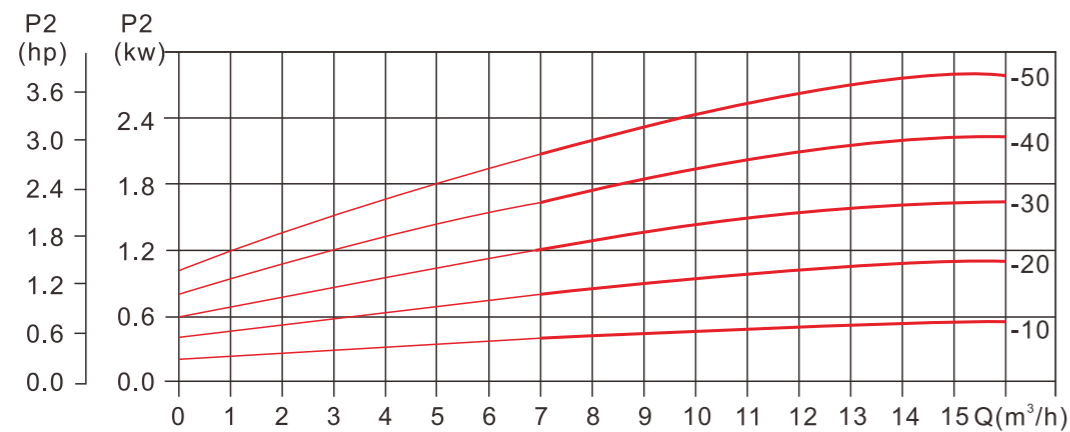
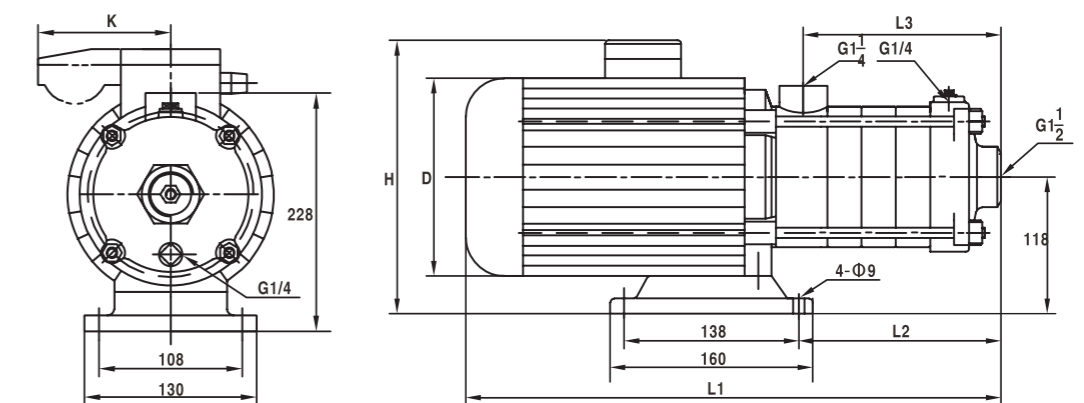


## ● Installation sketch

### CHL12



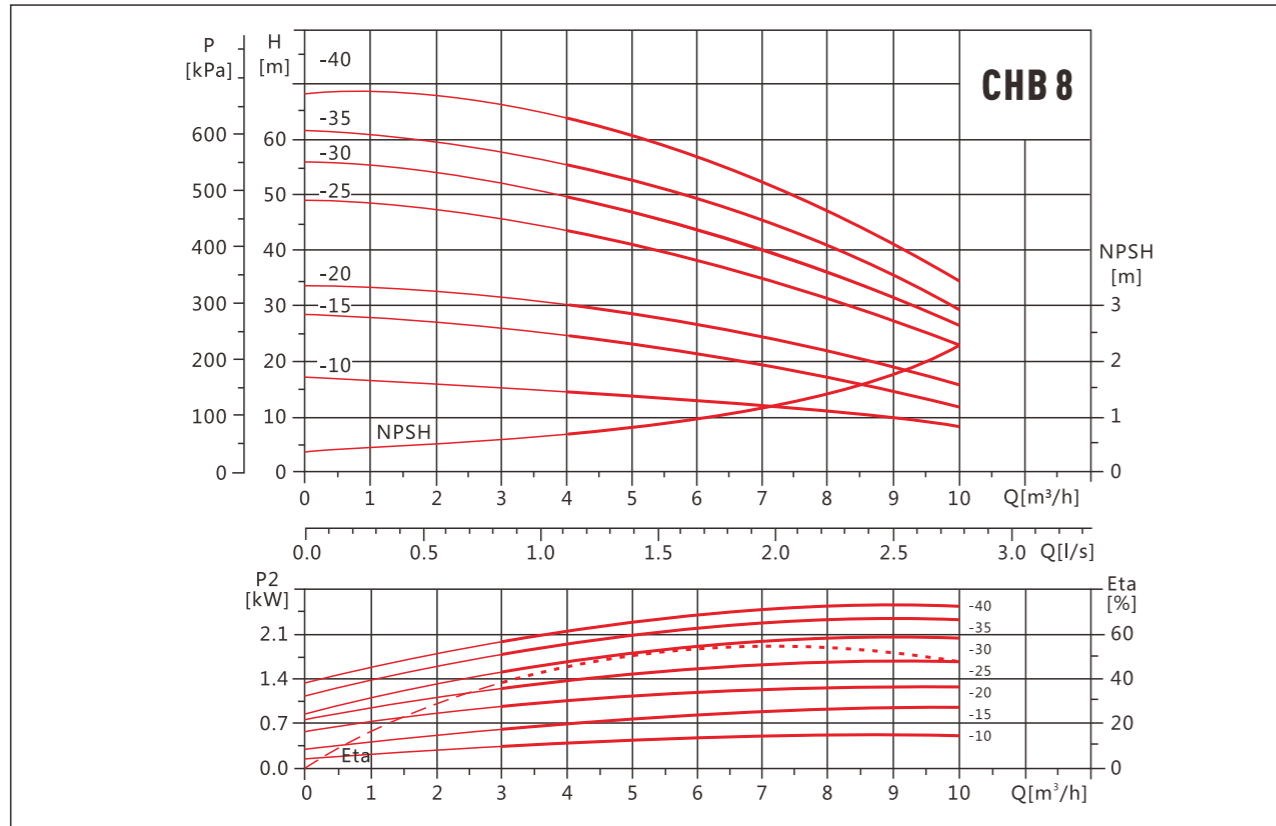
### CHLF(T)12



# CHB8/12, 50Hz

## Performance curve

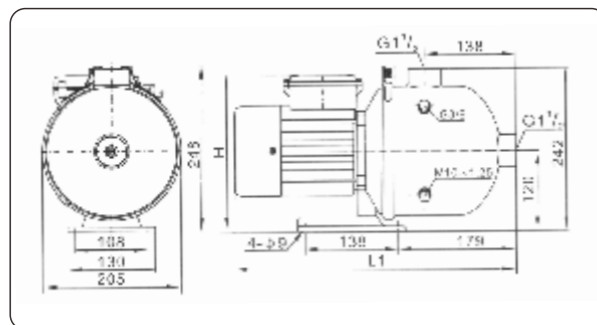
2900rpm



## Performance table

Model	Driving motor P <sub>2</sub> (kW)	Q (m <sup>3</sup> /h)	4.0	5.0	6.0	7.0	8.0	9.0	10
CHB8-10	0.55	H (m)	15	14	13	12.5	12	9	8
CHB8-15	0.75		25	23	22	21	20	14	12
CHB8-20	1.0		32	29	27	25	24	21	17
CHB8-25	1.5		43	40	38	34	27	25	20
CHB8-30	1.85		50	46	44	40	36	30	26
CHB8-35	2.2		56	51	48	44	43	35	28
CHB8-40	2.2		65	57.5	57	50	48	42	34

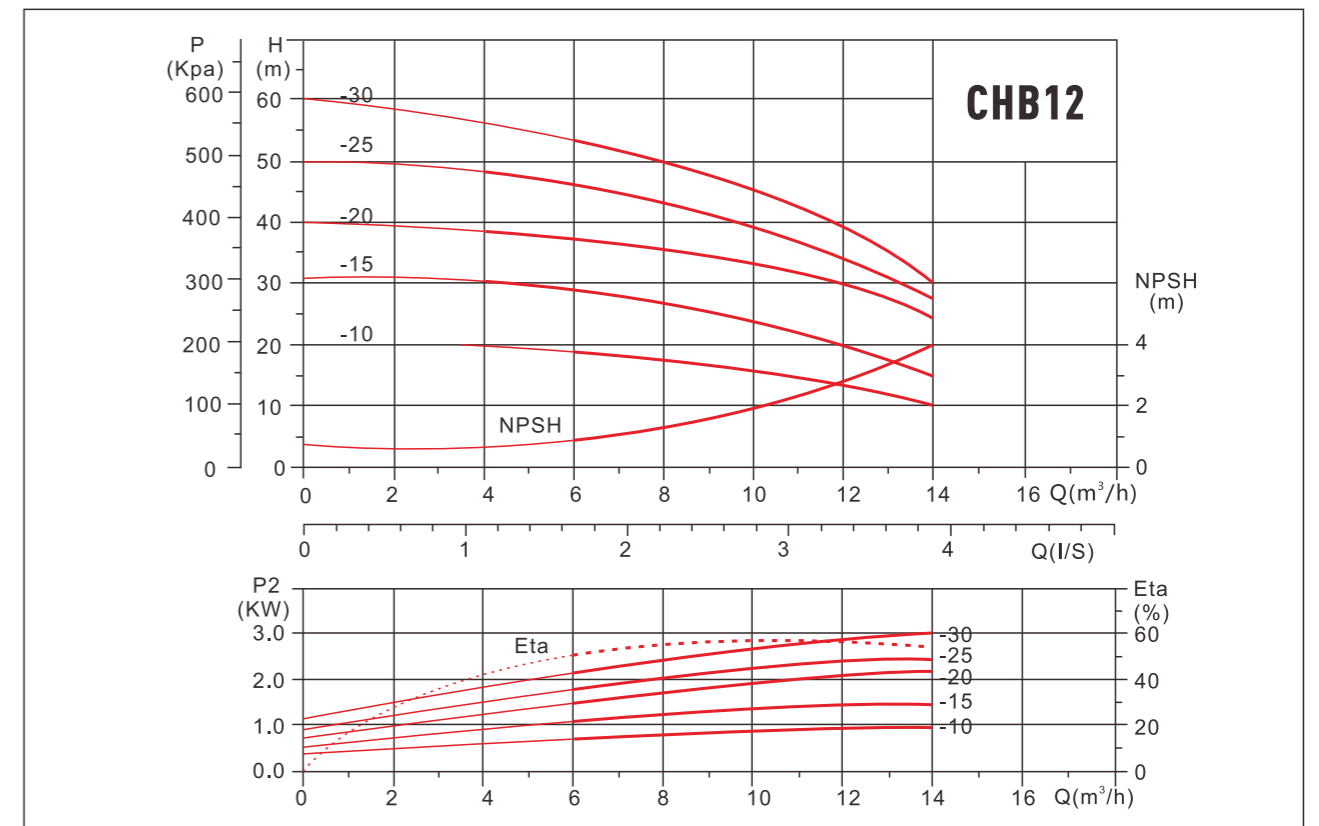
## Installation sketch



Model	Dimensions(mm)				Weight (kg)
	Single Phase		Three Phase		
	L1	H	L1	H	
CHB8-10	424	227	424	222	10.5
CHB8-15	424	227	424	222	12
CHB8-20	424	227	424	222	14
CHB8-25	459	235	459	232	17
CHB8-30	500	239	459	232	21.5
CHB8-35	500	239	459	232	23
CHB8-40	500	239	459	232	24

## Performance curve

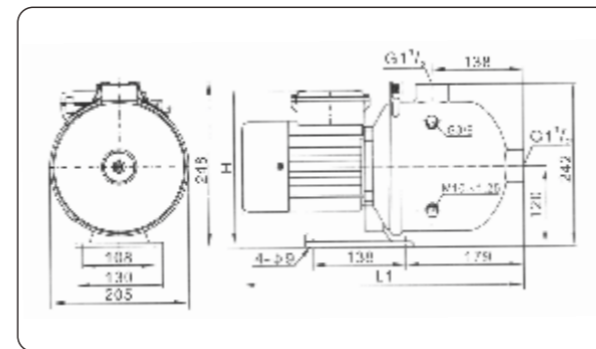
2900rpm



## Performance table

Model	Driving motor P <sub>2</sub> (kW)	Q (m <sup>3</sup> /h)	6.0	7.0	8.0	9.0	10	11	12	13	14
CHB12-10	1.0	H (m)	19	18	17.5	16	15.5	14	13.5	12	10.5
CHB12-15	1.5		28	27	26	25	24	22	20	18	15
CHB12-20	1.85		38	36	35	32	31	29	28	24	20
CHB12-25	2.2		47	45	43	41.5	39	36	33.5	30.5	27
CHB12-30	3.0		53.5	52	50	47.5	45	42	39	35	30

## Installation sketch

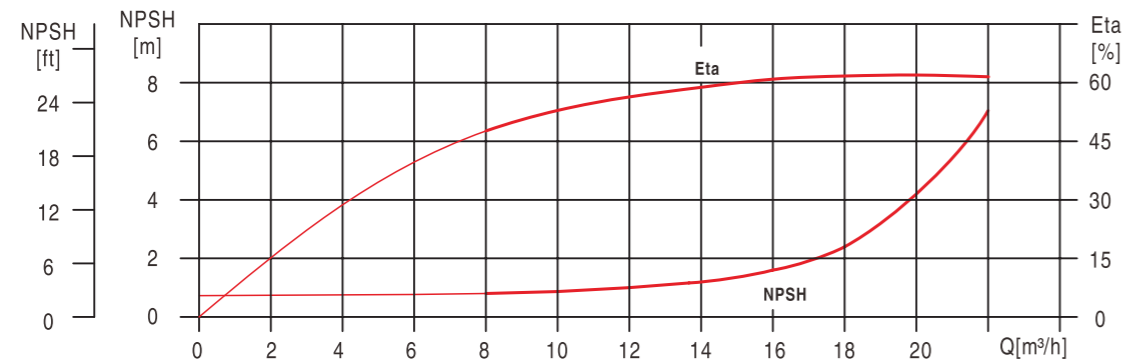
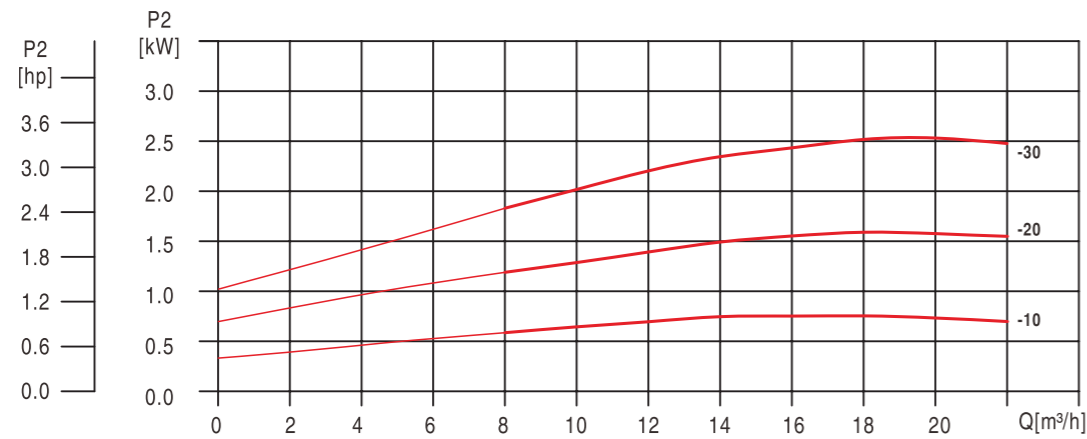
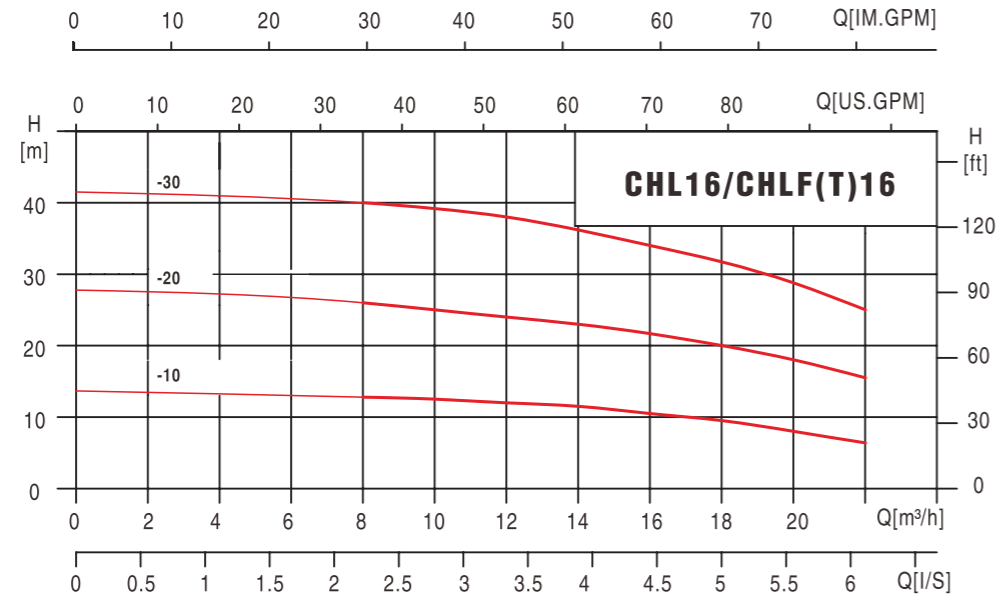


Model	Dimensions(mm)				Weight (kg)
	Single Phase		Three Phase		
	L1	H	L1	H	
CHB12-10	424	227	424	222	10.5
CHB12-15	424	227	424	222	12
CHB12-20	424	227	424	222	14
CHB12-25	459	235	459	232	17
CHB12-30	500	239	459	232	21.5
CHB12-35	500	239	459	232	23
CHB12-40	500	239	459	232	24

# CHL16/CHLF(T)16, 50Hz

## ● Performance curve

2900rpm

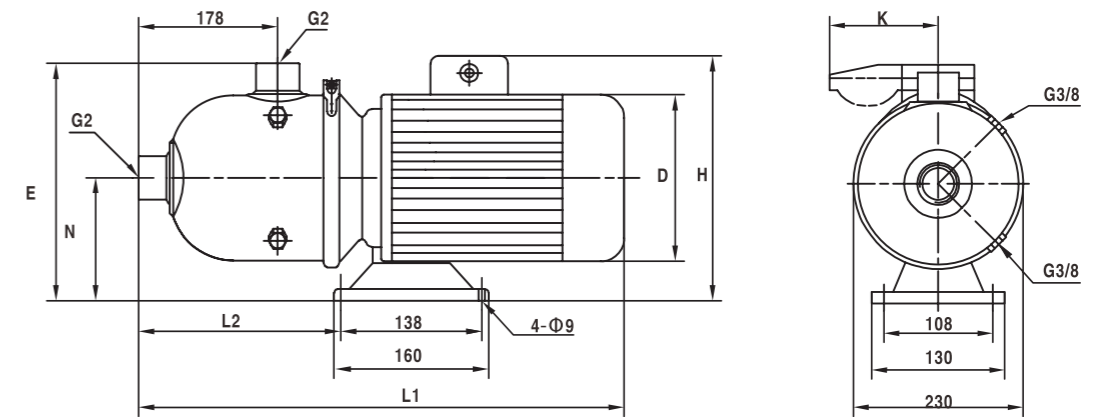


## ● Performance table

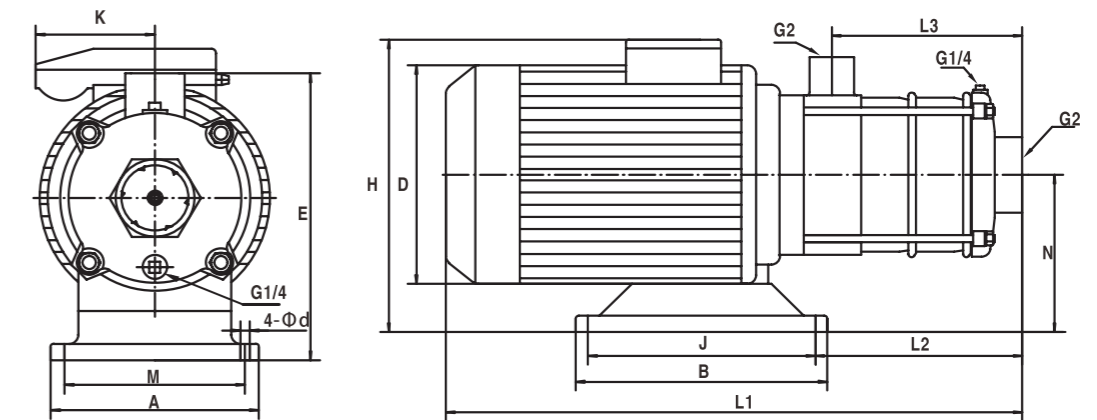
MODEL	POWER (kW)	Q (m³/h)	8	10	12	14	16	18	20	22
CHL16-1 CHLF(T)16-1	1.1	H (m)	12.8	12.5	12	11.5	10.5	9.5	8	7
CHL16-2 CHLF(T)16-2	2.2		26	25	24	23	21.7	20	18	15.5
CHL16-3 CHLF(T)16-3	3		40	39	38	36	34	31.5	29	25
CHL16-4 CHLF(T)16-4	4		53.5	52	50	48	45	42	38	33.5

## ● Installation sketch

### CHL16



### CHLF(T)16

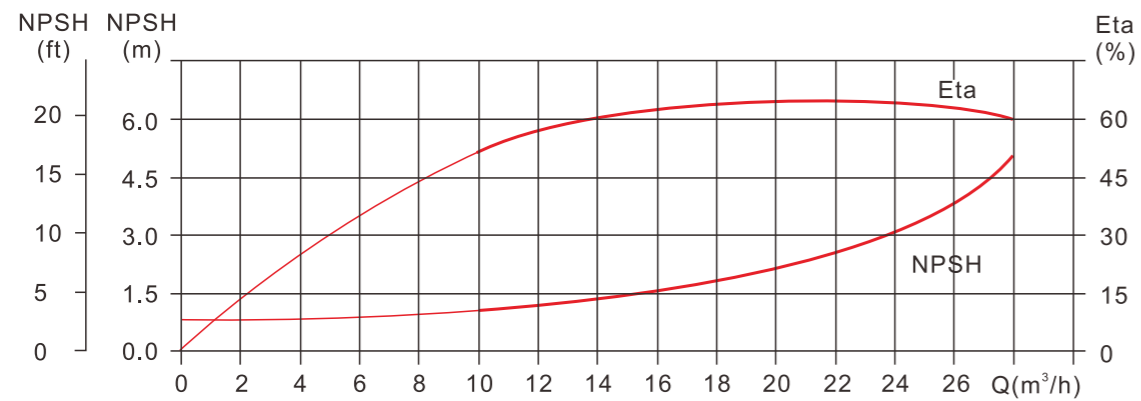
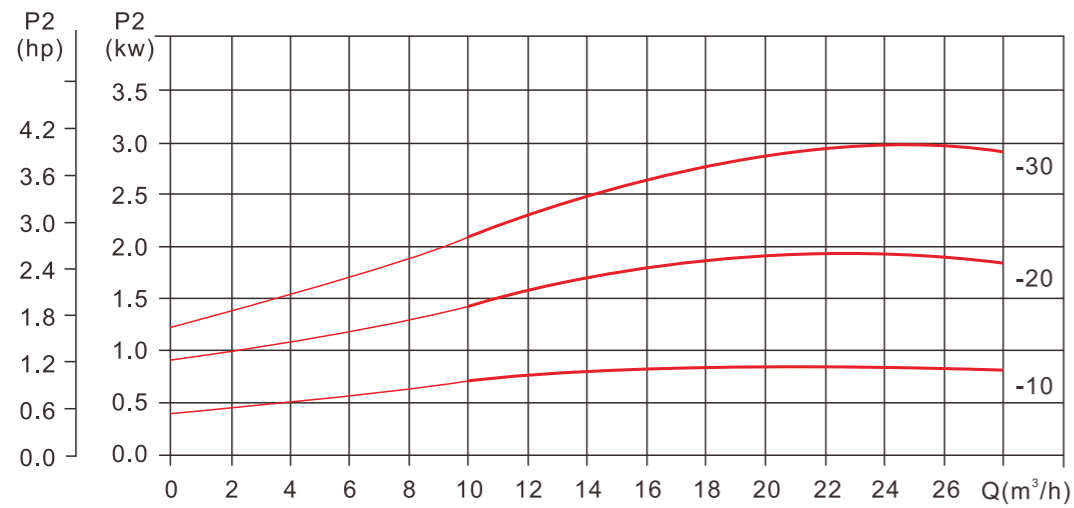
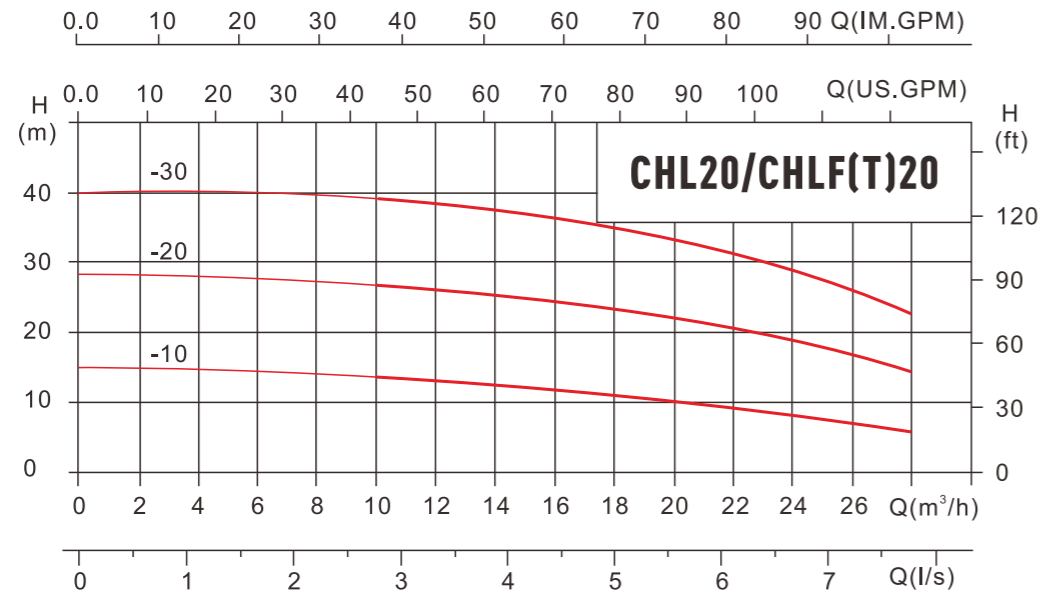




# CHL20/CHLF(T)20, 50Hz

## ● Performance curve

2900rpm

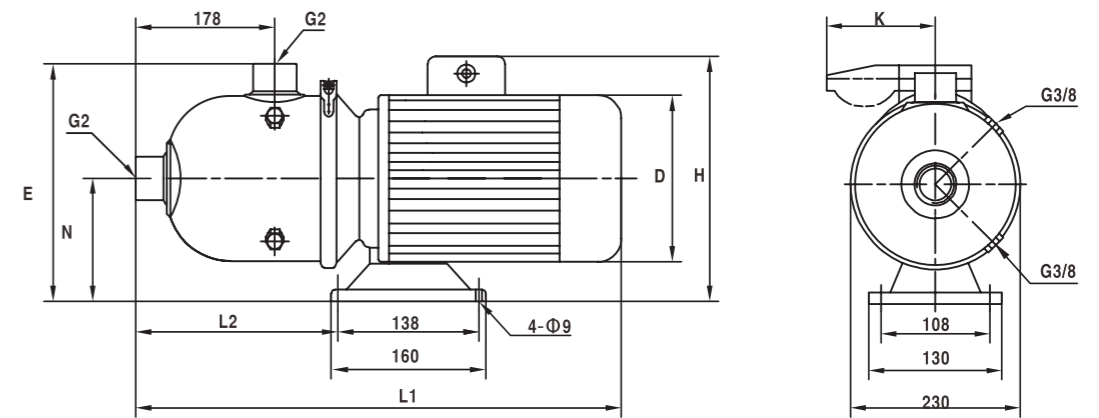


## ● Performance table

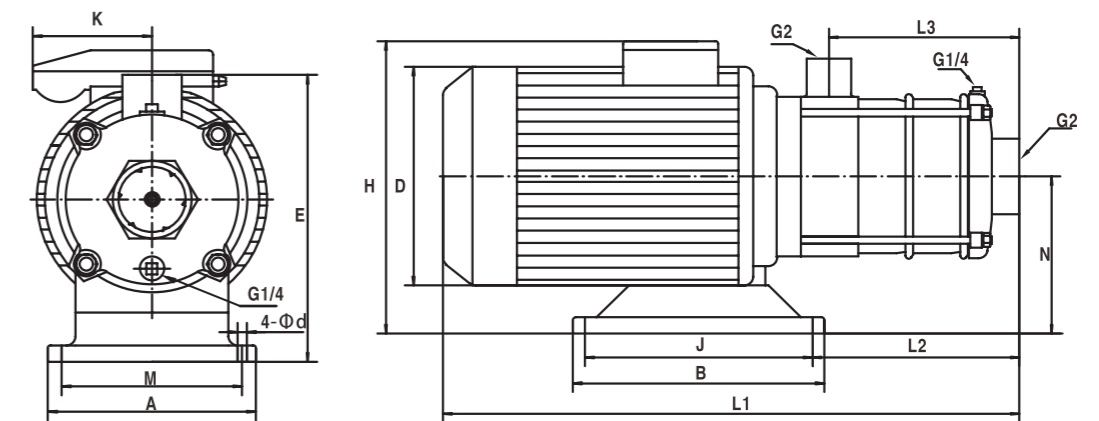
Model	Driving motor		Q (m³/h)	10	12	14	16	18	20	22	24	26	28
	(kw)	(hp)		H (m)									
CHL20-1 CHLF(T)20-1	1.1	1.6	H (m)	13.5	13	12.5	12	11	10	9	8	7	6
CHL20-2 CHLF(T)20-2	2.2	3		27	26.5	25.5	25	23.5	22	20.5	18.5	17	14.5
CHL20-3 CHLF(T)20-3	4	5.5		39.5	39	38	37.5	35.5	34	31.5	29	26	23

## ● Installation sketch

### CHL20



### CHLF(T)20



# CHM STAINLESS STEEL HORIZONTAL MULTI-STAGE CENTRIFUGAL PUMP



## Applications and conditions

CHM is non-self-priming light horizontal multistage centrifugal pump (abbr. as pump in the following). They are efficient, low noise, little corrosive tolerance, compact structure, good looking, small volume, light weight, etc.

### Applications

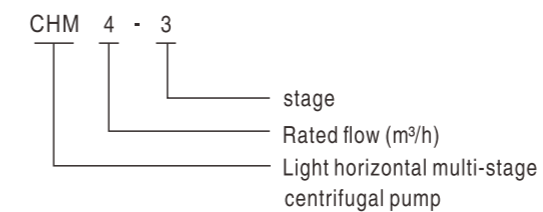
Pumped liquids: Low viscosity, neutral, non-explosive liquids, not containing solid particles or fibres. The liquid must not attack the pump materials chemically. (Oil or the liquid mainly consisted of oil can be pumped by special type of pumps);

- Circulation for air condition system;
- Cooling system;
- Water treatment, purification system;
- Industry cleaning system;
- Liquid transferring, circulation, boosting;
- Hot or cold water;
- Feed proportioning system of food, drinking, agriculture, etc.

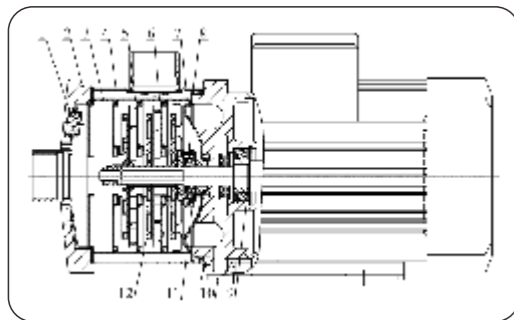
### Operation conditions

- Liquid temperature: Normal temperature type - 15 °C ~+700°C ; Hot water type -15 °C~+110 °C ;
  - Flow range: 0.5~28m<sup>3</sup>/h;
  - Max pressure: 10 bar;
  - Liquid pH range: pH5~9;
  - Max ambient temperature: +40°C;
  - The Max suction pressure is limited by max operating pressure;
  - Min inlet pressure: Refer to CHL catalogue.
- Caution: When pumping liquids with a density and/or viscosity higher than that of water, use motors with correspondingly higher outputs, if required.

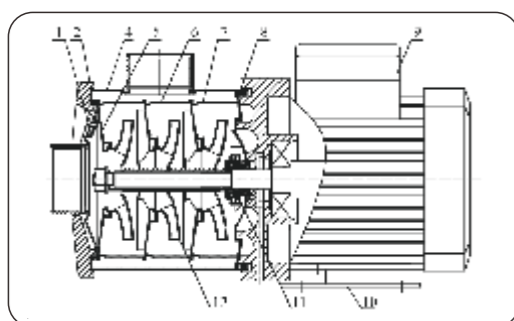
### Definition of Model



Section drawing CHM1/2/4:



Section drawing CHM8/12/16/20:



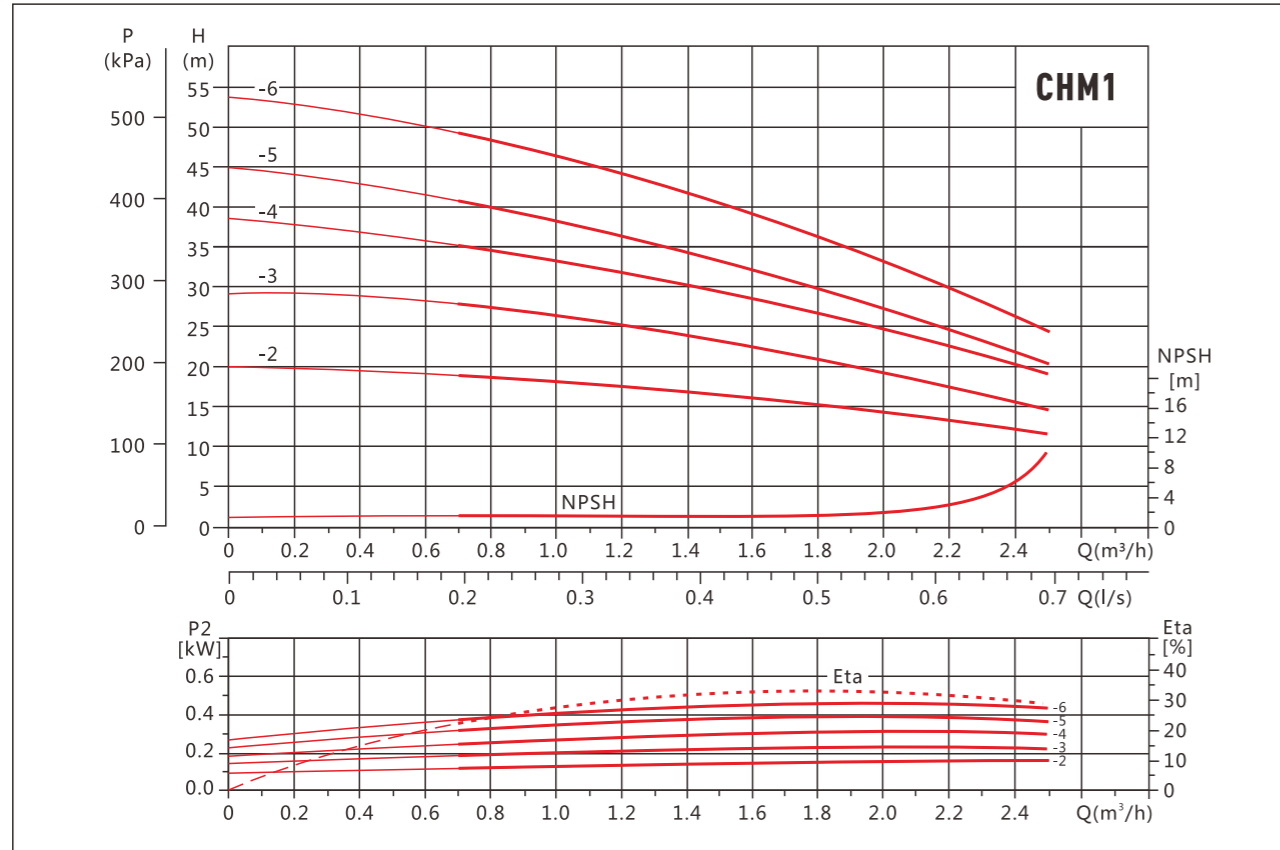
Material:

Number	Name	Material	AISI/ASTM
1	Plug	Stainless steel	SS-304N2-33
2	Clamp plate	Aluminum alloy	ASTM383.1
3	Inletsectional	Stainless steel	AISI304
4	Inlet/Outlet section	Stainless steel	AISI304
5	Inducer	Stainless steel	AISI304
6	Guide vane	Stainless steel	AISI304
7	Discharge diffuser	Stainless steel	AISI304
8	Seal base	Stainless steel	AISI304
9	Motor		
10	Base frame	Steel	AISI015
11	Mechanical seal		
12	Impeller	Stainless steel	AISI304

# CHM1/2, 50Hz

## ● Performance curve

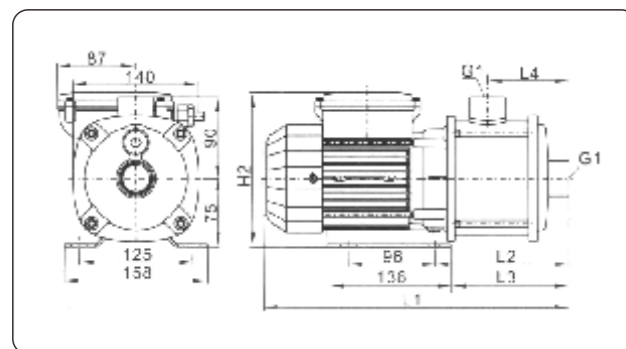
2900rpm



## ● Performance table

Model	Driving motor P <sub>2</sub> (kW)	Q (m³/h)	H (m)										
			0.4	0.6	0.8	1.0	1.2	1.4	1.6	1.8	2.0	2.2	2.4
CHM1-2	0.25	H (m)	19.5	19	18.5	18	17.5	17	16	15	14	13	12
CHM1-3	0.25		29	28.5	26	25	24.5	23.5	22	21	19	17	16
CHM1-4	0.37		37	36	35	33	32	30	28	27	26	22	20
CHM1-5	0.37		43	42	41	38	36	34	32	29	27	25	22
CHM1-6	0.37		51	50	49	46	44	42	40	36	32	30	26

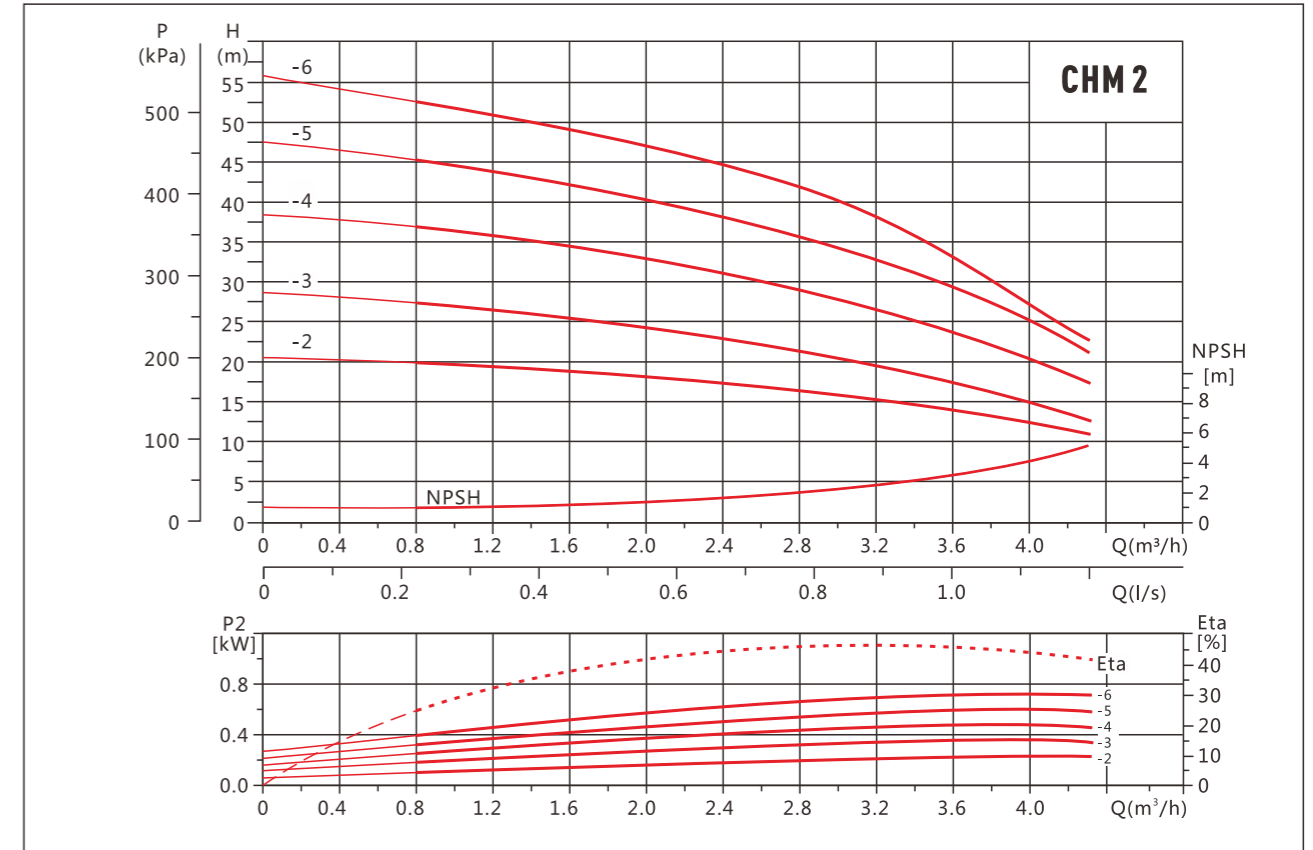
## ● Installation sketch



Model	Dimensions(mm)						Weight (kg)
	Single phase	Three phase	L1	L2	L3	L4	
	H2						
CHM1-2	170	174	318	131	113	72	7.6
CHM1-3	170	174	318	131	113	72	8.0
CHM1-4	170	174	336	149	131	90	8.3
CHM1-5	170	174	354	167	149	108	8.6
CHM1-6	170	174	390	203	185	144	9

## ● Performance curve

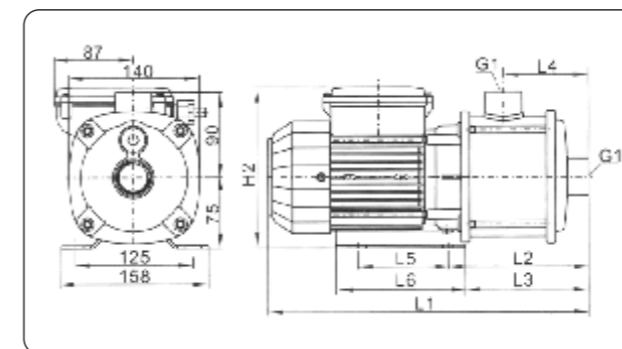
2900rpm



## ● Performance table

Model	Driving motor P <sub>2</sub> (kW)	Q (m³/h)	H (m)									
			0.8	1.2	1.6	2.0	2.4	2.8	3.2	3.6	4.0	
CHM2-2	0.25	H (m)	19.5	19	18.5	18	17	16.5	14.5	13.5	12	
CHM2-3	0.37		27	26	25	24	23	22	20	17	15	
CHM2-4	0.55		36	35	34	32	31	29	27	23	20	
CHM2-5	0.55		44	43	42	40	38	36	33	28.5	24	
CHM2-6	0.75		53	51.5	49	47	44	41	37	32	27	

## ● Installation sketch

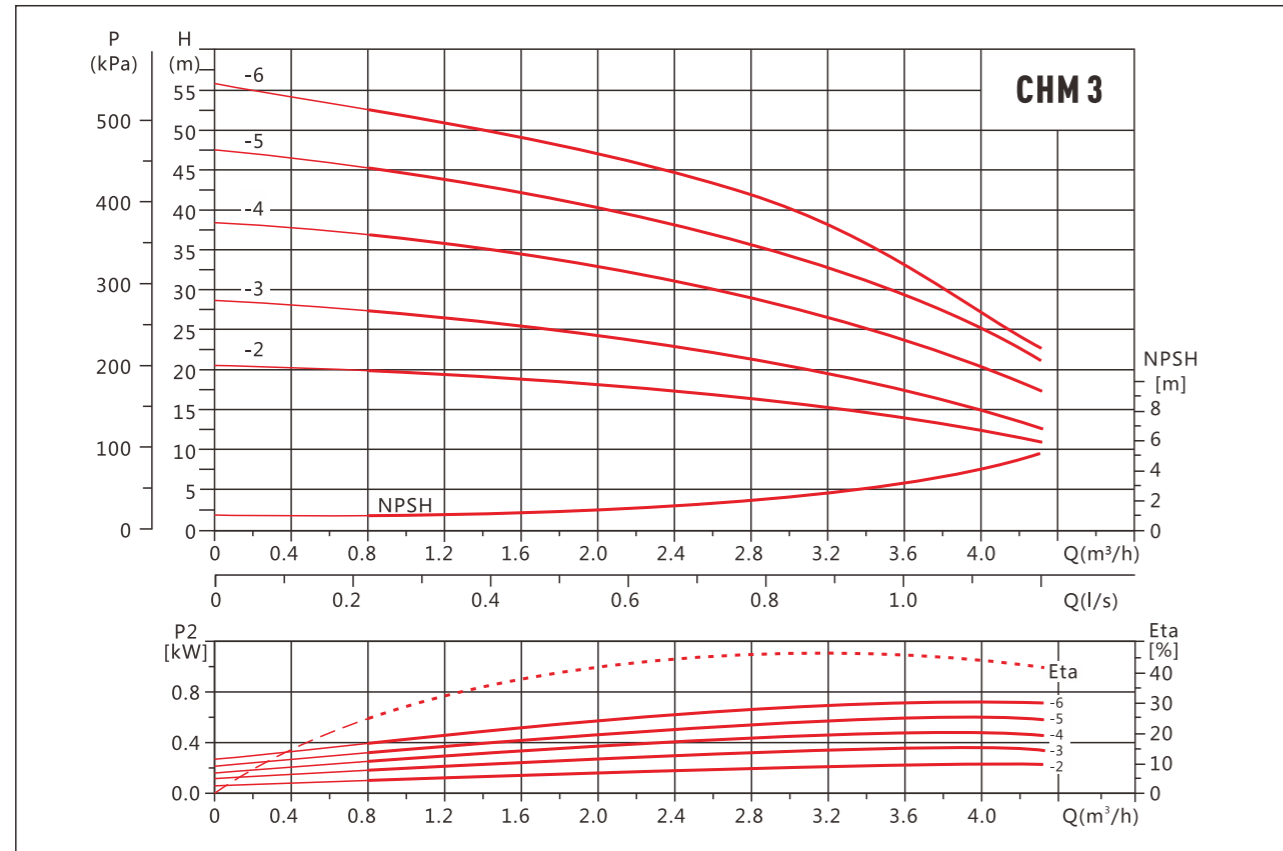


Model	Dimensions(mm)						Weight (kg)		
	Single phase	Three phase	L1	L2	L3	L4			
	H2								
CHM2-2(T)	170	174	318	131	113	72	96	136	7.4
CHM2-3(T)	170	174	318	131	113	72	96	136	7.5
CHM2-4(T)	170	174	336	149	131	90	96	136	10
CHM2-5(T)	170	174	383	167	143	108	96	136	10.5
CHM2-6(T)	170	188	416	203	179	144	96	155	12

# CHM3/4, 50Hz

## ● Performance curve

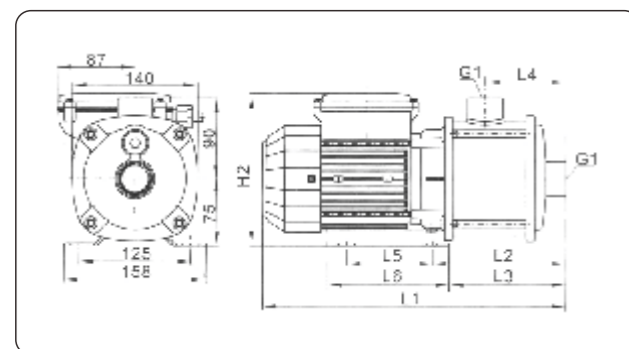
2900rpm



## ● Performance table

Model	Driving motor P <sub>2</sub> (kW)	Q (m <sup>3</sup> /h)	0.8	1.2	1.6	2.0	2.4	2.8	3.0	3.2	3.6	4.0
CHM3-2	0.25	H (m)	19.5	19	18.5	18	17	16.5	15	14.5	13.5	12
CHM3-3	0.37		27	26	25	24	23	22	21	20	17	15
CHM3-4	0.55		36	35	34	32	31	29	28	27	23	20
CHM3-5	0.55		44	43	42	40	38	36	34	33	28.5	24
CHM3-6	0.75		53	51.5	49	47	44	41	38	37	32	27

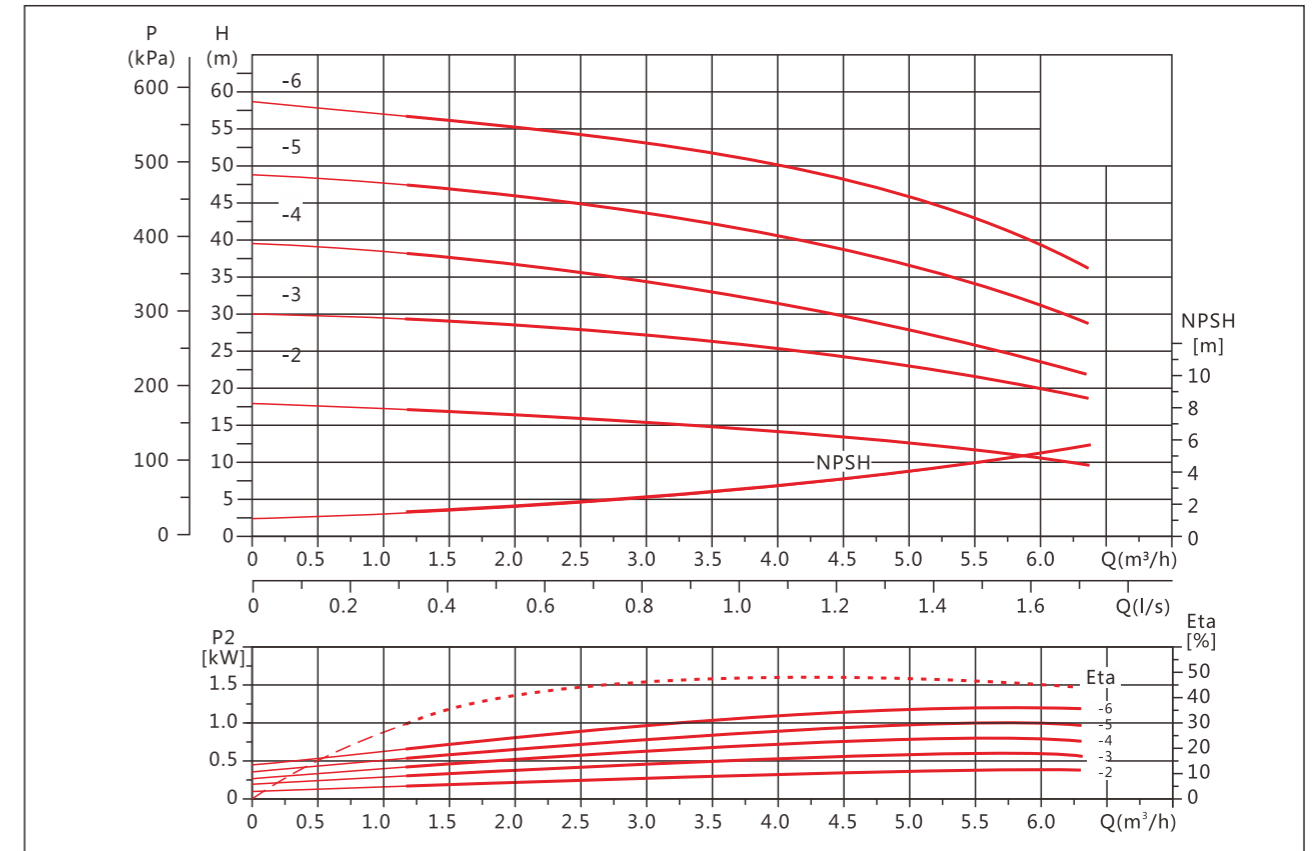
## ● Installation sketch



Model	Dimensions(mm)								Weight (kg)
	Single phase H2	Three phase H2	L1	L2	L3	L4	L5	L6	
CHM3-2	170	174	318	131	113	72	96	136	7.4
CHM3-3	170	174	318	131	113	72	96	136	7.5
CHM3-4	170	174	336	149	131	90	96	136	10
CHM3-5	170	174	383	167	143	108	96	136	10.5
CHM3-6	170	188	416	203	179	144	96	155	12

## ● Performance curve

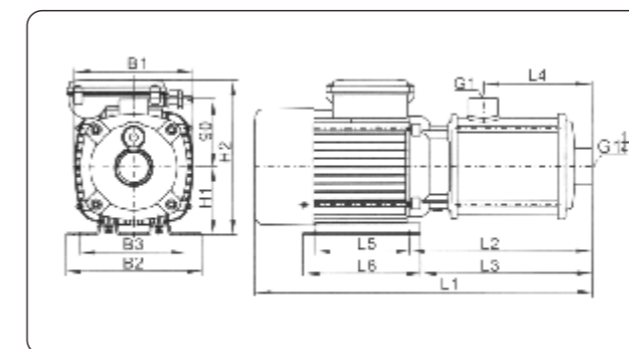
2900rpm



## ● Performance table

Model	Driving motor P <sub>2</sub> (kW)	Q (m <sup>3</sup> /h)	1.0	1.5	2.0	2.5	3.0	3.5	4.0	4.5	5.0	5.5	6.0
CHM4-2	0.37	H (m)	18.5	18	17.5	17	16	15.5	15	13.5	13	11	10
CHM4-3	0.55		29	28.5	28	27	26.5	25.5	25	23	22	20	18
CHM4-4	0.75		38	37	36	34	33.5	32	30	28	27	24	20
CHM4-5	1.0		47	46	45	44	42.5	41	40	36	35	32	27
CHM4-6	1.3		56.5	55	54	53	52.5	51	49	45	44	42	36

## ● Installation sketch

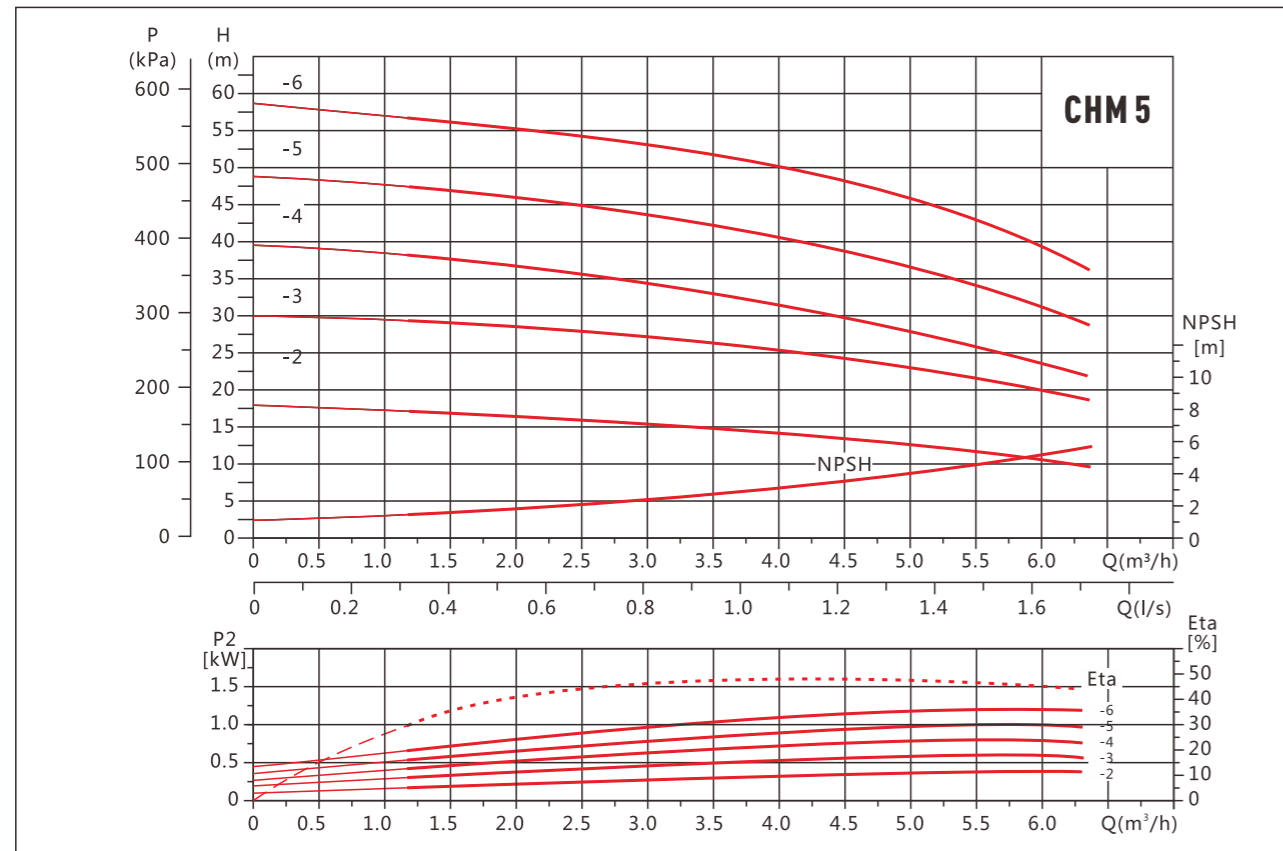


Model	Dimensions(mm)												Weight (kg)	
	B1	B2	B3	H1	Single phase H2	Three phase L1	Single phase H2	Three phase L1	L2	L3	L4	L5		L6
CHM4-2	140	158	125	75	170	318	174	318	131	113	72	96	136	8.0
CHM4-3	140	158	125	75	170	347	174	318	131	113	72	96	136	10
CHM4-4	140	158	125	75	182	362	188	362	149	125	90	96	155	11.5
CHM4-5	140	158	125	75	182	380	188	380	167	143	108	96	155	12.5
CHM4-6	155	178	140	90	209	446	211	446	243	228	144	125	155	15

# CHM5/10, 50Hz

## ● Performance curve

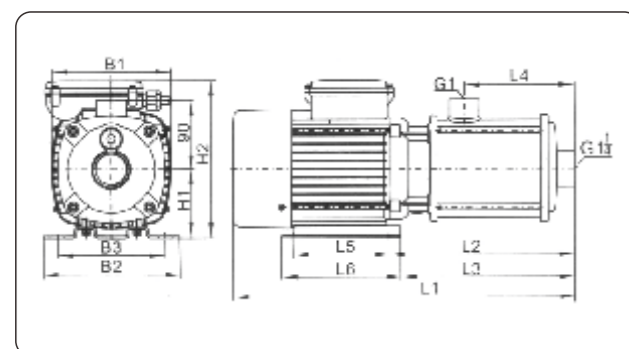
2900rpm



## ● Performance table

Model	Driving motor P <sub>2</sub> (kW)	Q (m <sup>3</sup> /h)	1.0	1.5	2.0	2.5	3.0	3.5	4.0	4.5	5.0	5.5	6.0
CHM5-2	0.37	H (m)	18.5	18	17.5	17	16	15.5	15	13.5	13	11	10
CHM5-3	0.55		29	28.5	28	27	26.5	25.5	25	23	22	20	18
CHM5-4	0.75		38	37	36	34	33.5	32	30	28	27	24	20
CHM5-5	1.0		47	46	45	44	42.5	41	40	36	35	32	27
CHM5-6	1.3		56.5	55	54	53	52.5	51	49	45	44	42	36

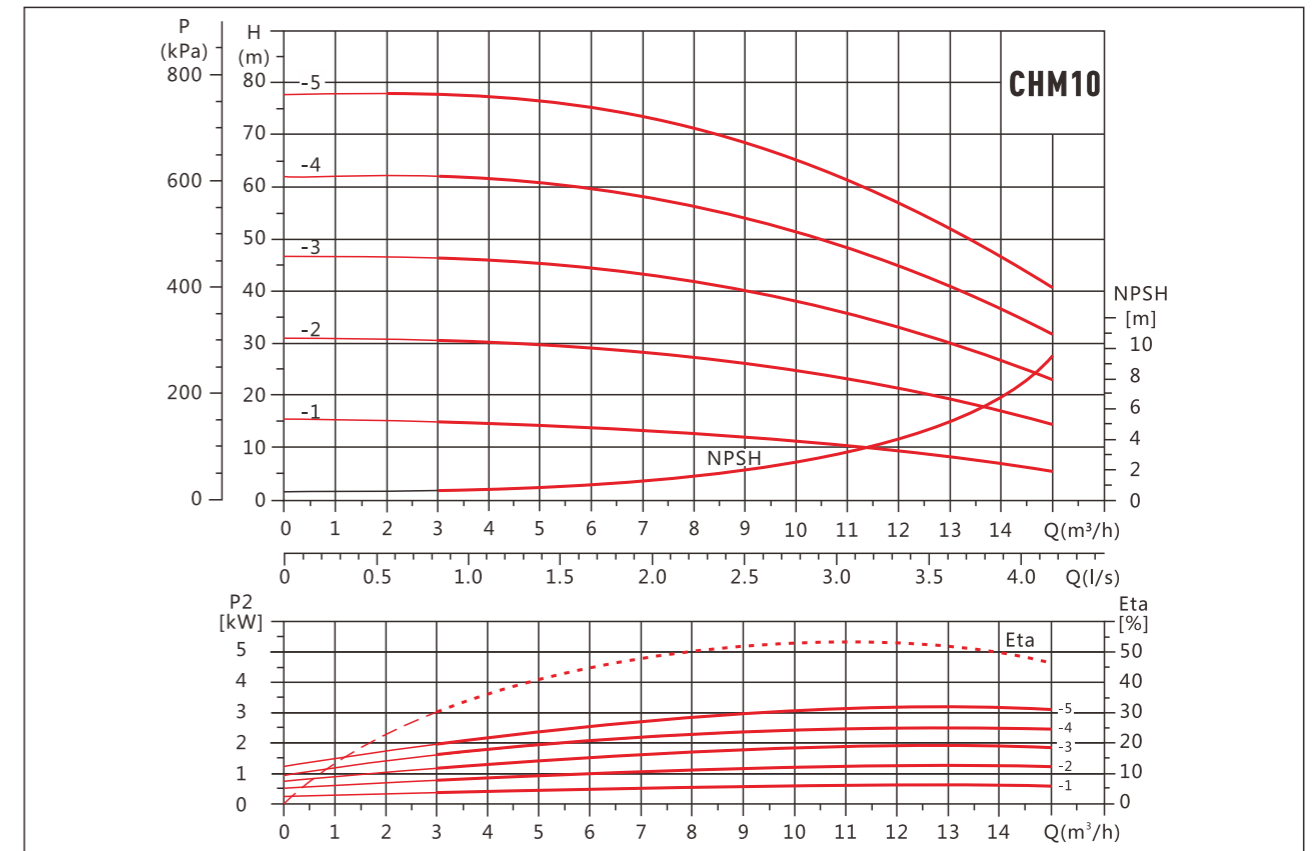
## ● Installation sketch



Model	Dimensions(mm)											Weight (kg)		
	B1	B2	B3	H1	Single phase		Three phase		L2	L3	L4		L5	L6
CHM5-2	140	158	125	75	170	318	174	318	131	113	72	96	136	8.0
CHM5-3	140	158	125	75	170	347	174	318	131	113	72	96	136	10
CHM5-4	140	158	125	75	182	362	188	362	149	125	90	96	155	11.5
CHM5-5	140	158	125	75	182	380	188	380	167	143	108	96	155	12.5
CHM5-6	155	178	140	90	209	446	211	446	243	228	144	125	155	15

## ● Performance curve

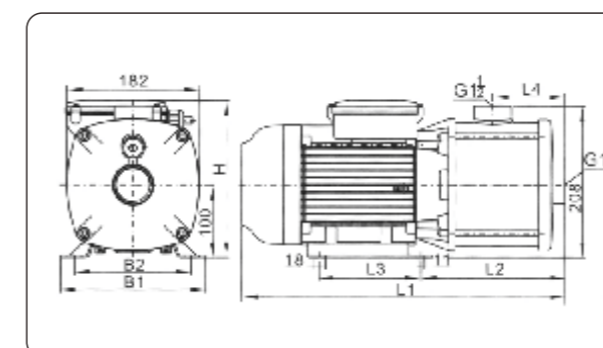
2900rpm



## ● Performance table

Model	Driving motor P <sub>2</sub> (kW)	Q (m <sup>3</sup> /h)	4	5	6	7	8	9	10	11	12	13	14
CHM10-1	0.65	H (m)	14.5	14	13.5	13	12.5	12	11	10	9	8	7
CHM10-2	1.2		30	29.5	29	28	27	26	24	23	21	19	16
CHM10-3	2.2		45.5	45	44	43	42	40	38	36	33	30	26
CHM10-4	3.0		61	60.5	60	58	56	54	52	48	45	41	36
CHM10-5	3.0		76.5	76	75	74	71	68	63	61	57	52	46

## ● Installation sketch

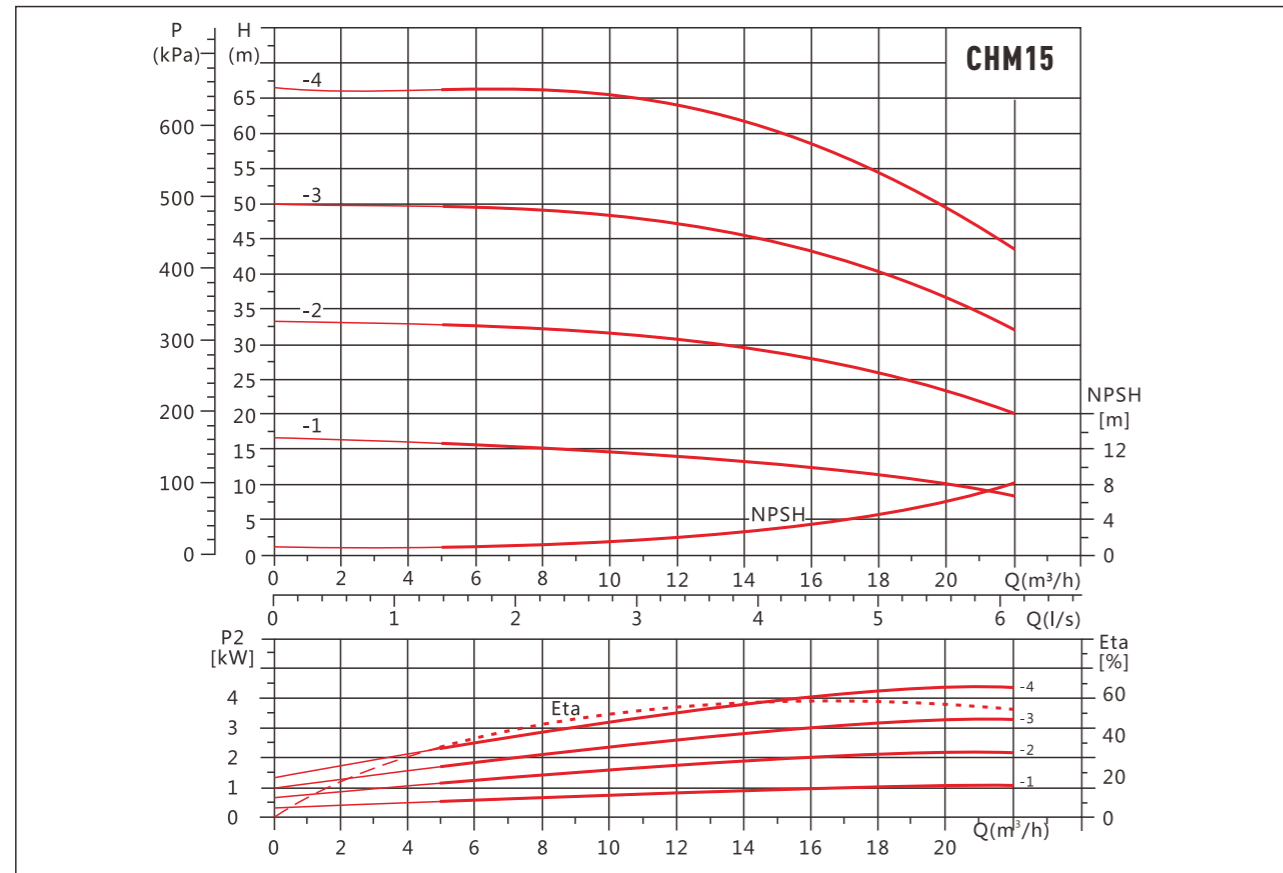


Model	Dimensions(mm)								Weight (kg)	
	B1	B2	L1	L2	L3	L4	Single phase H	Three phase H	Weight (kg)	
CHM10-1	158	125	383	185	96	100	206	212	10	
CHM10-2	158	125	412	200	96	100	214	217	12	
CHM10-3	199	160	448	200	140	100	244	212	22	
CHM10-4	199	160	498	230	140	130	—	212	25	
CHM10-5	199	160	558	290	140	190	—	212	26	

# CHM15/25, 50Hz

## ● Performance curve

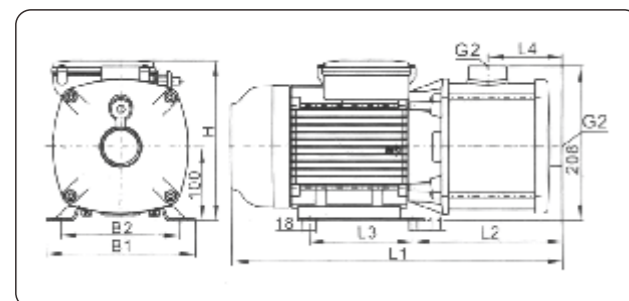
2900rpm



## ● Performance table

Model	Driving motor P <sub>2</sub> (kW)	Q (m³/h)	6	8	10	12	14	15	16	17	18	19	20
CHM15-1	1.2	H (m)	15.5	15	14.5	14	13	12	11.5	11	11	10.5	10
CHM15-2	2.2		32	31.5	31	30.5	29.5	29	28	27	26	24	22
CHM15-3	4.0		49	48	47.5	47	46	44	43	42	40	37	36
CHM15-4	5.5		67	66	65	64	62	61	57	56	54	52	49

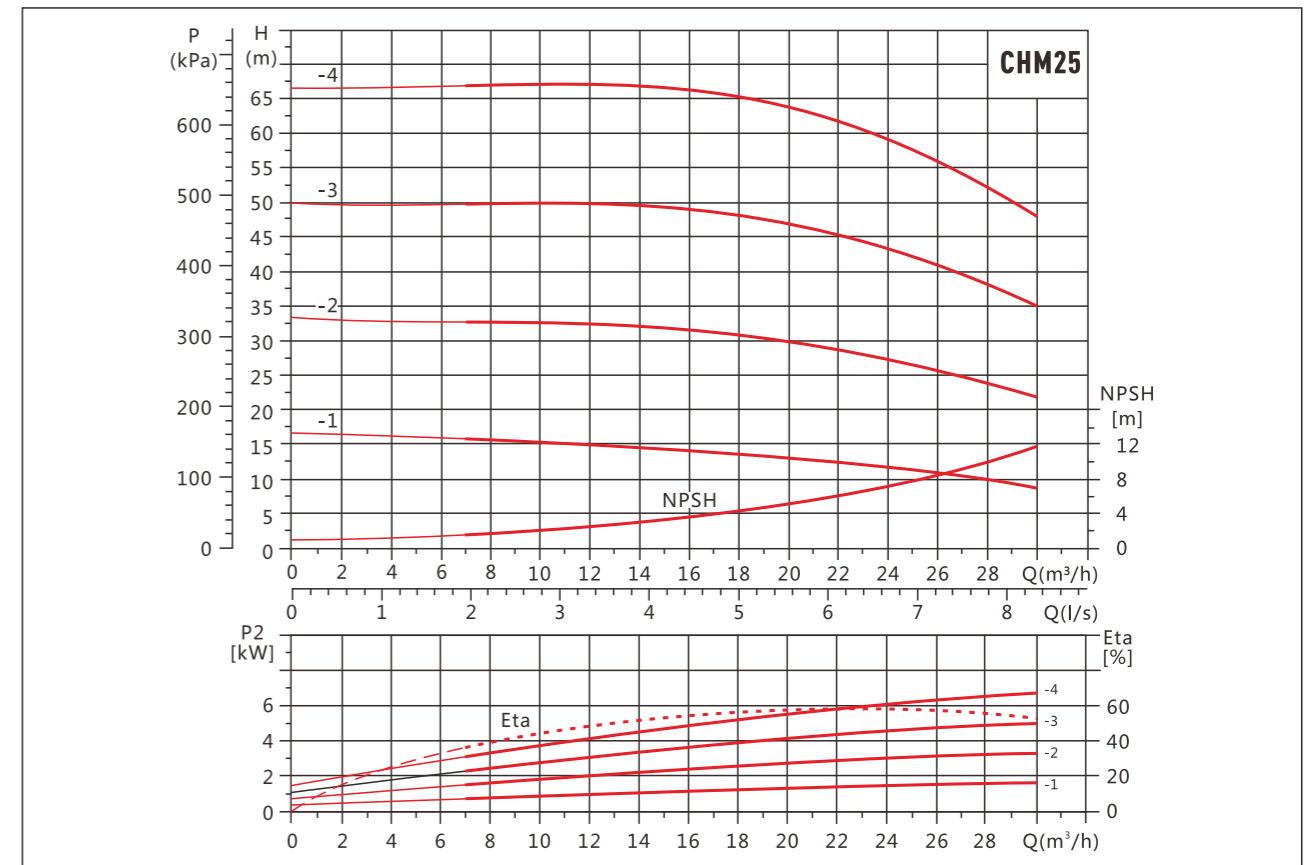
## ● Installation sketch



Model	Dimensions(mm)								Weight (kg)
	B1	B2	L1	L2	L3	L4	Single phase H	Three phase H	
CHM15-1	158	125	412	200	96	100	214	217	12
CHM15-2	199	160	448	200	140	100	244	212	21
CHM15-3	199	160	510	235	140	100	—	260	29
CHM15-4	228	190	590	288	140	130	—	296	35

## ● Performance curve

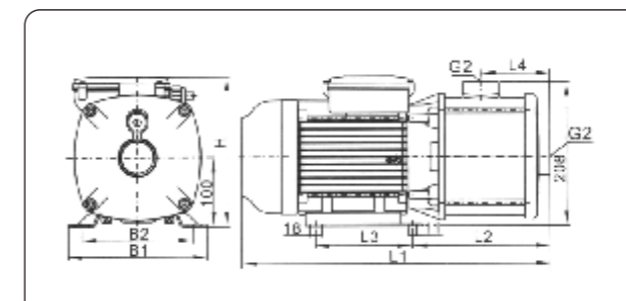
2900rpm



## ● Performance table

Model	Driving motor P <sub>2</sub> (kW)	Q (m³/h)	8	10	12	14	16	18	20	22	24	26	28
CHM25-1	2.2	H (m)	15.5	15	15	14.5	14	13.5	13	12	11.5	11	10
CHM25-2	4.0		33	32.5	32	31.5	31	30.5	30	28	27	26	24
CHM25-3	5.5		50	50	40	49	48	47	46	45	43	41	38
CHM25-4	7.5		66	66	66	66	66	65	64	62	58	56	52

## ● Installation sketch

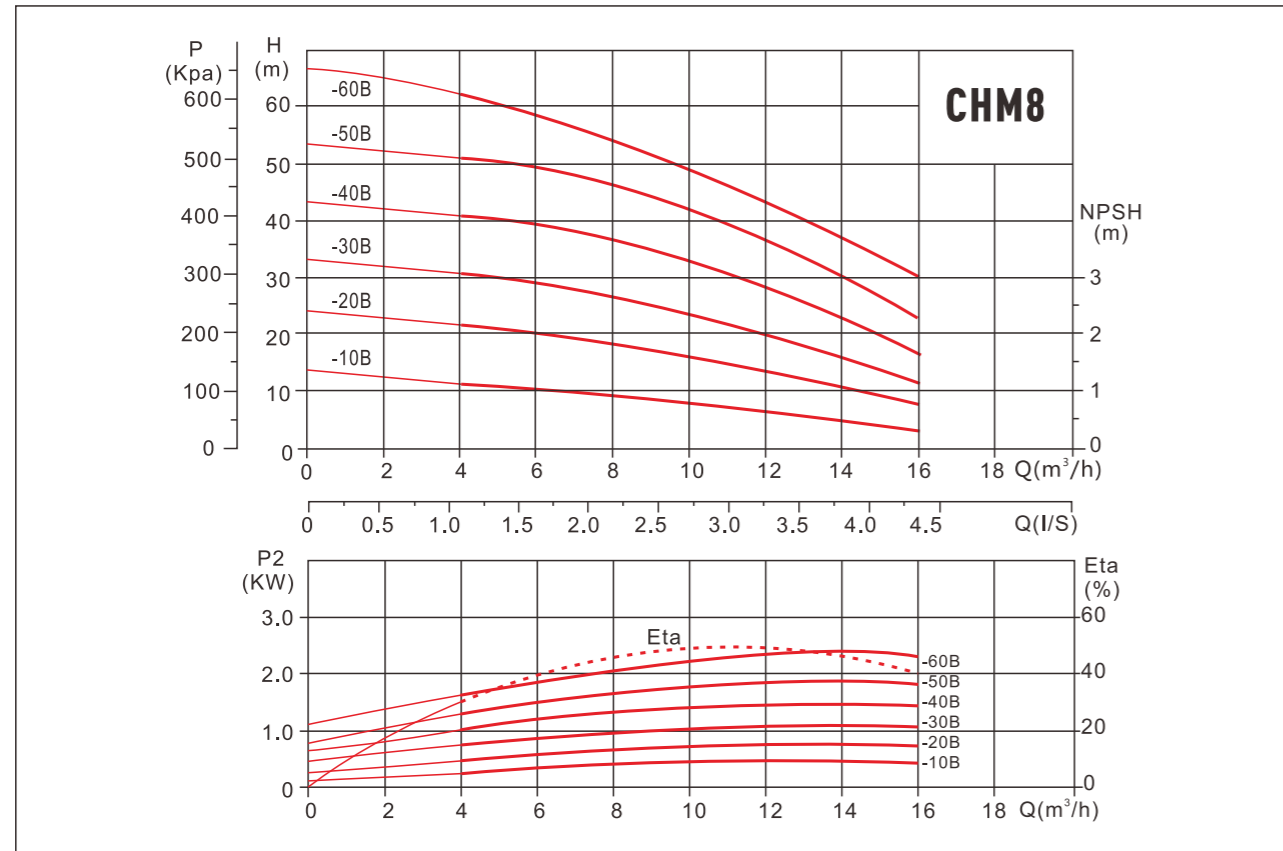


Model	Dimensions(mm)								Weight (kg)
	B1	B2	L1	L2	L3	L4	Single phase H	Three phase H	
CHM25-1	199	160	448	200	140	100	244	217	21
CHM25-2	199	160	510	235	140	100	—	260	29
CHM25-3	228	190	560	235	140	100	—	295	35
CHM25-4	228	190	620	288	140	130	—	295	38

# CHM8/8-B, 50Hz

## ● Performance curve

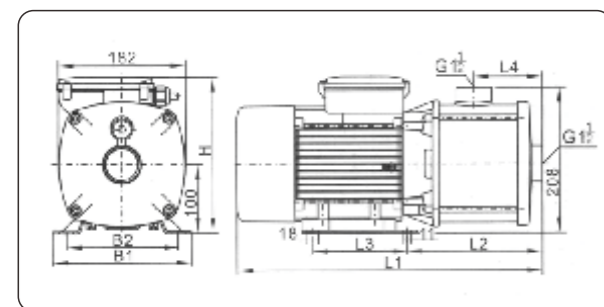
2900rpm



## ● Performance table

Model	Driving motor P <sub>2</sub> (kW)	Q (m³/h)	4.0	6.0	8.0	10	12	14	16
CHM8-1	0.55	H (m)	11	10	9	8	7	6	5
CHM8-2	0.75		22	20	19	18	13	11	8
CHM8-3	1.1		31	29	26	24	20	16	11
CHM8-4	1.5		41	39	37	33	28	23	17
CHM8-5	2.2		51	49	46.5	42	37	30	23
CHM8-6	3.0		62	58	52	48	42	36	30

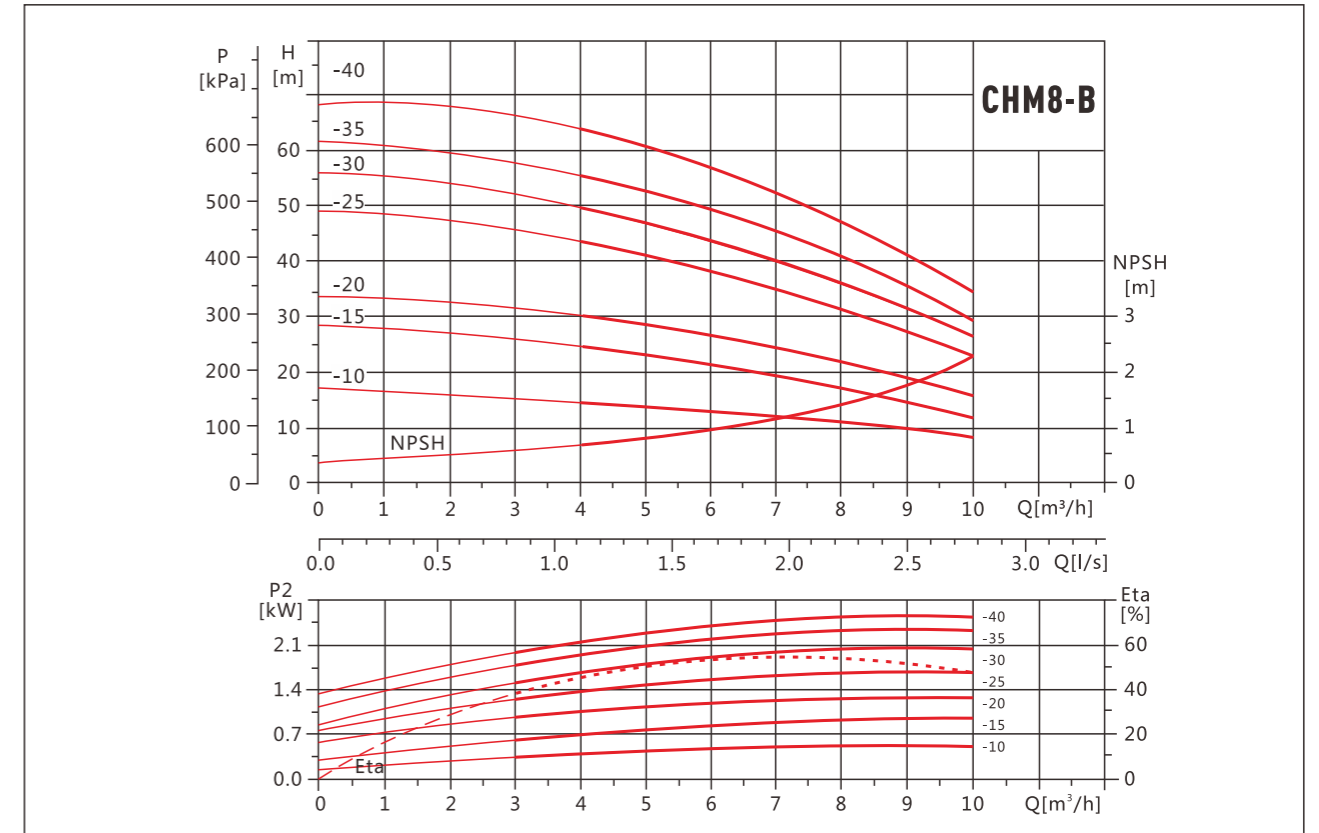
## ● Installation sketch



Model	Dimensions(mm)												Weight (kg)	
	Single Phase						Three Phase							
	B1	B2	L1	L2	L3	H	B1	B2	L1	L2	L3	H		
CHM8-1	158	125	377	185	96	206	158	125	377	185	96	212	100	10
CHM8-2	158	125	377	185	96	206	158	125	377	185	96	212	100	11
CHM8-3	158	125	408	200	96	232	158	125	408	200	96	217	100	12
CHM8-4	158	125	438	230	96	232	158	125	438	230	96	217	130	15
CHM8-5	199	160	539	290	140	244	158	125	498	290	96	217	190	24
CHM8-6	—	—	—	—	—	—	199	160	559	290	140	212	190	26

## ● Performance curve

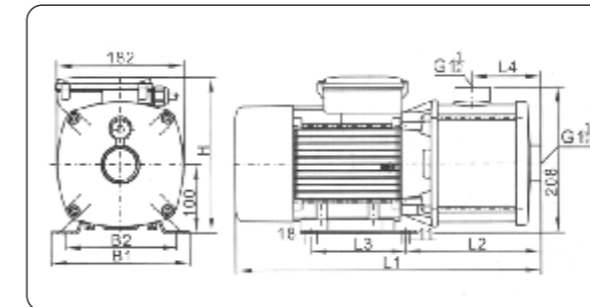
2900rpm



## ● Performance table

Model	Driving motor P <sub>2</sub> (kW)	Q (m³/h)	4.0	5.0	6.0	7.0	8.0	9.0	10
CHM8-10B	0.55	H (m)	15	14	13	12.5	12	9	8
CHM8-15B	0.75		25	23	22	21	20	14	12
CHM8-20B	1.0		32	29	27	25	24	21	17
CHM8-25B	1.5		43	40	38	34	27	25	20
CHM8-30B	1.85		50	46	44	40	36	30	26
CHM8-35B	2.2		56	51	48	44	43	35	28
CHM8-40B	2.2		65	57.5	57	50	48	42	34

## ● Installation sketch

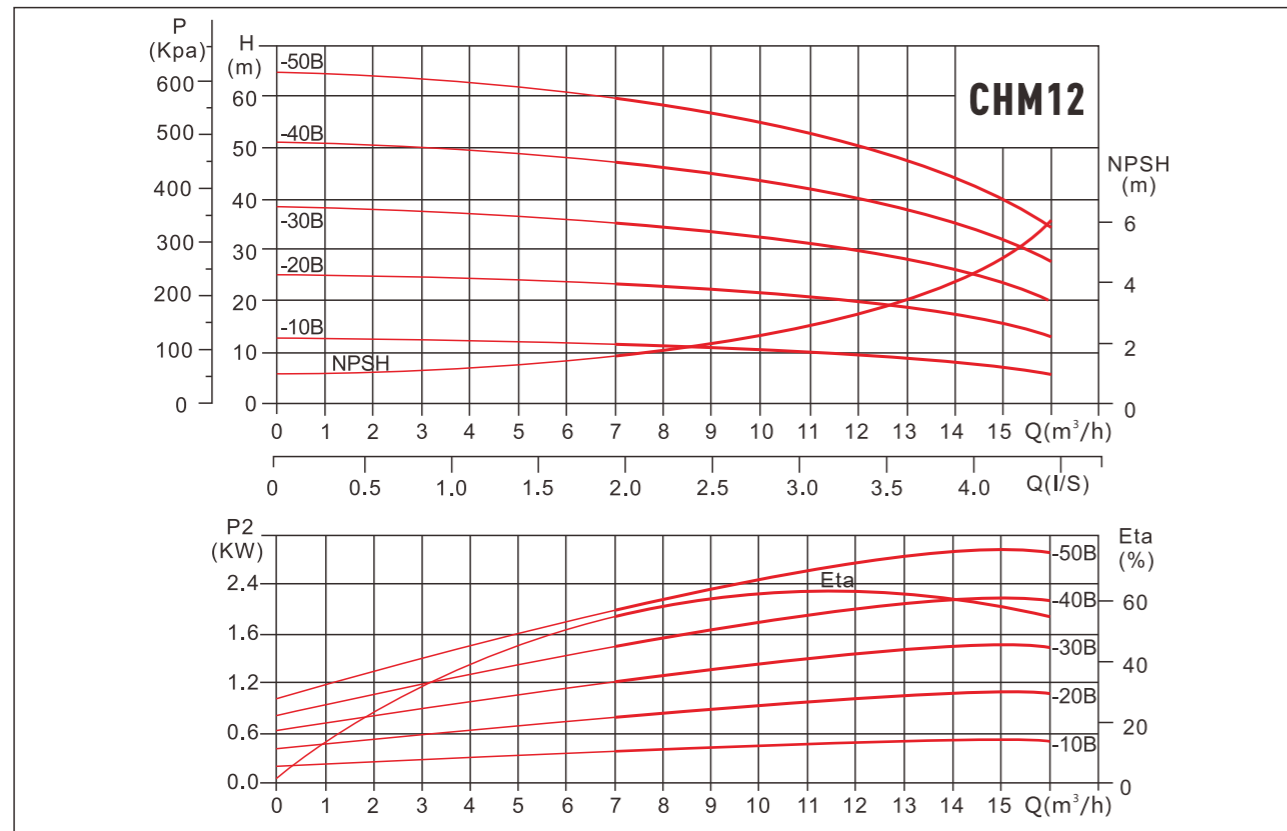


Model	Dimensions(mm)												Weight (kg)
	Single Phase						Three Phase						
	B1	B2	L1	L3	H	B1	B2	L1	L3	H			
CHM8-10B	158	125	377	96	206	158	125	377	96	212	185	100	10
CHM8-15B	158	125	377	96	206	158	125	377	96	212	185	100	11
CHM8-20B	158	125	377	96	206	158	125	377	96	212	185	100	13
CHM8-25B	158	125	408	96	232	158	125	408	96	217	200	100	16
CHM8-30B	199	160	449	140	244	158	125	408	96	217	200	100	21
CHM8-35B	199	160	479	140	244	158	125	438	96	217	230	130	22
CHM8-40B	199	160	479	140	244	158	125	438	96	217	230	130	23

# CHM12/12-B, 50Hz

## ● Performance curve

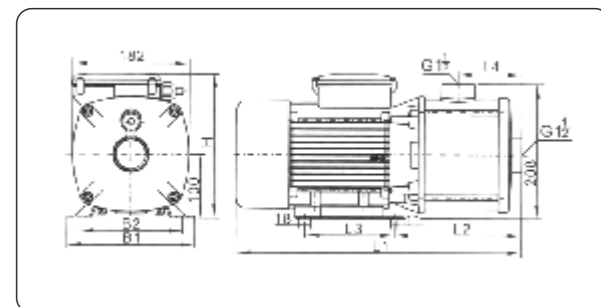
2900rpm



## ● Performance table

Model	Driving motor P <sub>2</sub> (kW)	Q (m <sup>3</sup> /h)	7.0	8.0	9.0	10	11	12	13	14	15	16
CHM12-1	0.75	H (m)	12	11.5	11	10.5	10	9.5	9	8	7	6
CHM12-2	1.1		23	22.5	22	21	20.5	19.5	18.5	17	15.5	13
CHM12-3	1.85		35	34.5	33.5	32.5	31	29.5	28	26	23.5	20
CHM12-4	2.2		47	46	45	43.5	41.5	39.5	37.5	35	31.5	27.5
CHM12-5	3.0		60	58	56.5	55	52.5	50	47	44	40	35

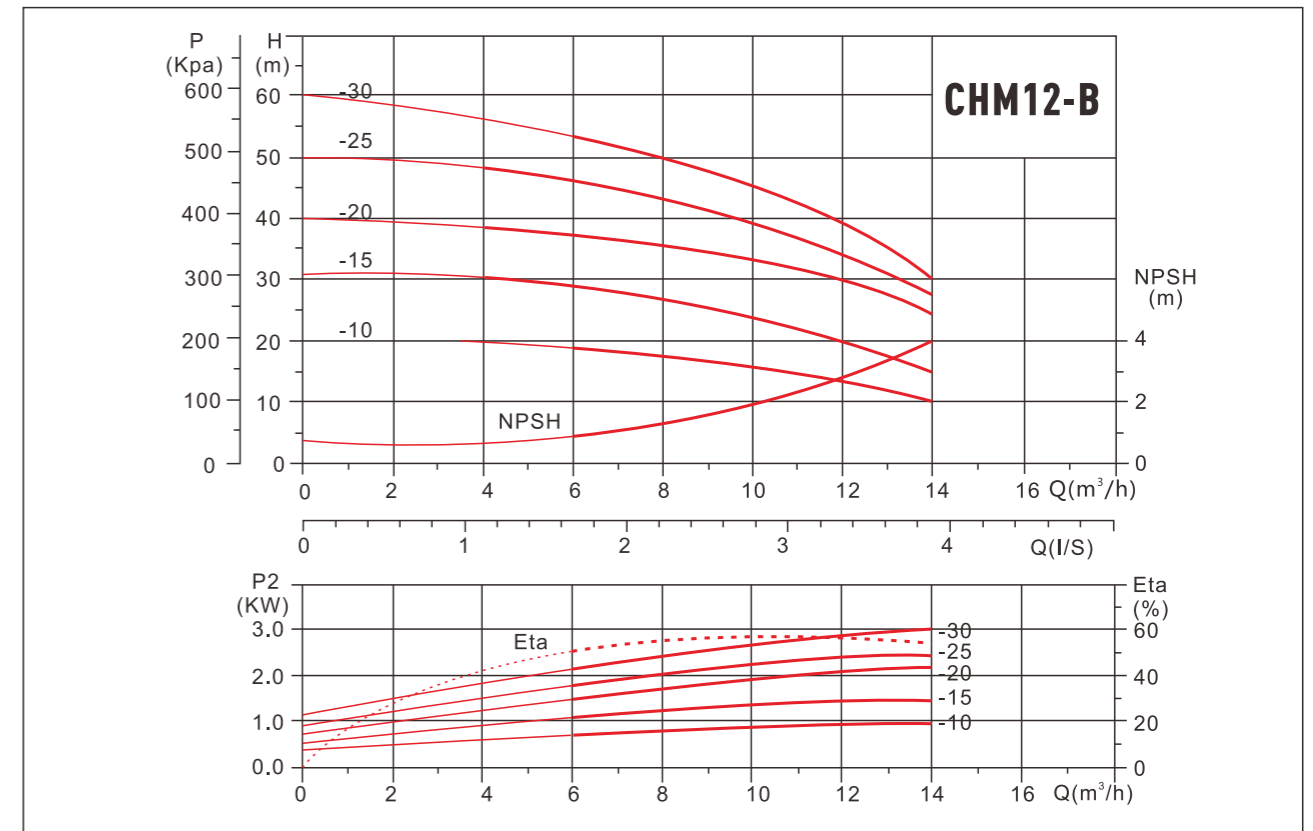
## ● Installation sketch



Model	Dimensions(mm)												Weight (kg)	
	Single						Three Phase							
	B1	B2	L1	L2	L3	H	B1	B2	L1	L2	L3	H	L4	
CHM12-10	158	125	377	185	96	206	158	125	377	185	96	212	100	11
CHM12-20	158	125	408	200	96	214	158	125	408	200	96	217	100	12
CHM12-30	199	160	449	200	140	244	158	125	408	200	96	217	100	22
CHM12-40	199	160	479	200	140	244	158	125	438	200	96	217	130	23
CHM12-50	—	—	—	—	—	—	199	160	539	290	140	212	190	26

## ● Performance curve

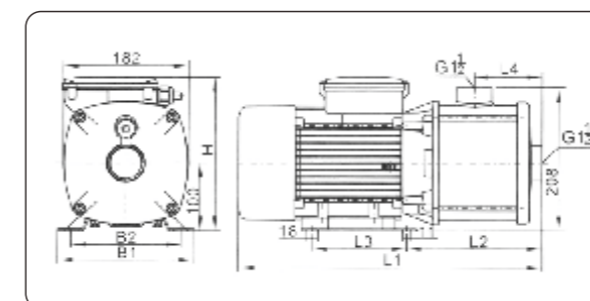
2900rpm



## ● Performance table

Model	Driving motor P <sub>2</sub> (kW)	Q (m <sup>3</sup> /h)	6.0	7.0	8.0	9.0	10	11	12	13	14
CHM12-10B	1.0	H (m)	19	18	17.5	16	15.5	14	13.5	12	10.5
CHM12-15B	1.5		28	27	26	25	24	22	20	18	15
CHM12-20B	1.85		38	36	35	32	31	29	28	24	20
CHM12-25B	2.2		47	45	43	41.5	39	36	33.5	30.5	27
CHM12-30B	3.0		53.5	52	50	47.5	45	42	39	35	30

## ● Installation sketch



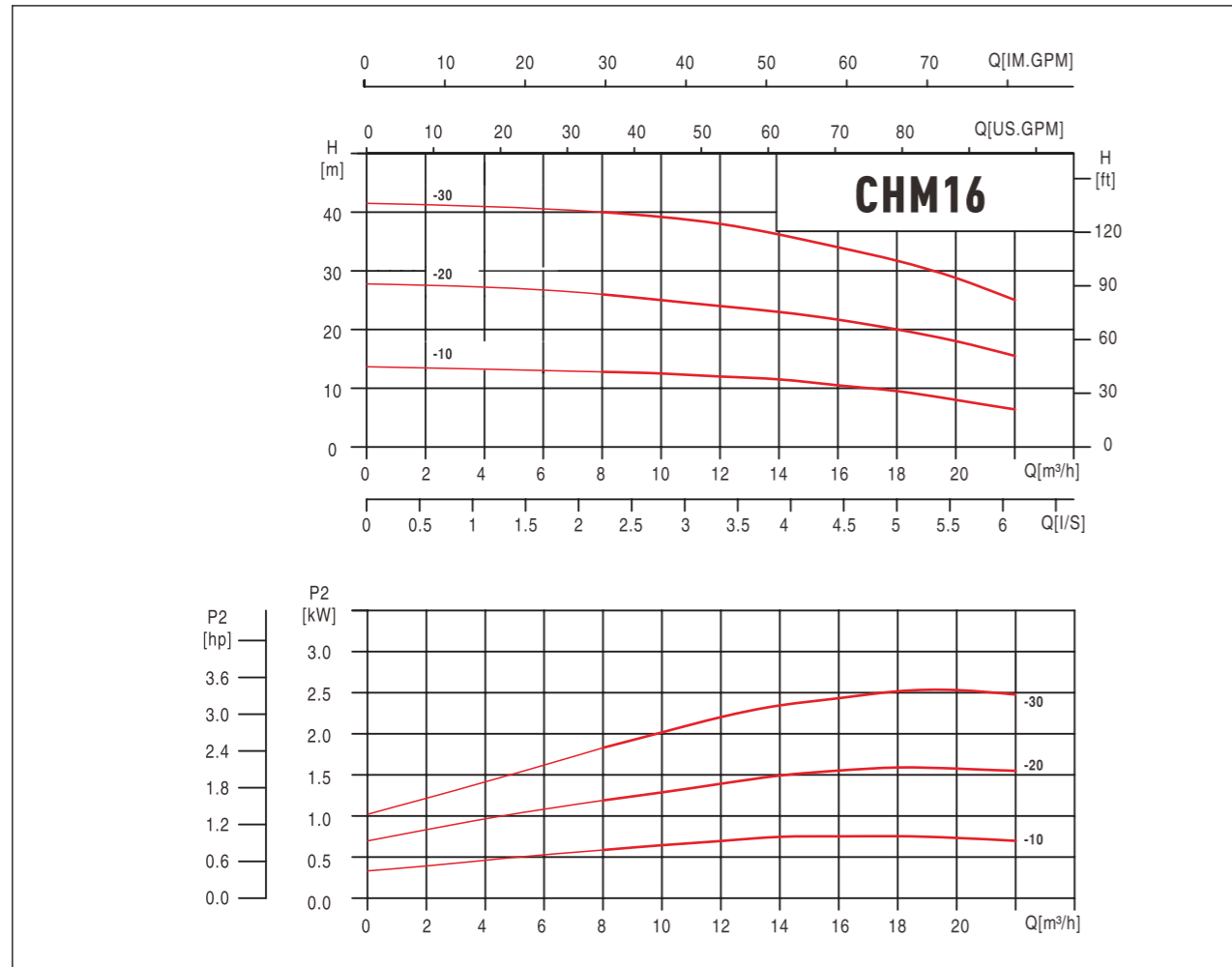
Model	Dimensions(mm)												Weight (kg)
	Single					Three Phase					L2	L4	
	B1	B2	L1	L3	H	B1	B2	L1	L3	H			
CHM12-10B	158	125	377	96	206	158	125	377	96	212	185	100	11
CHM12-15B	158	125	408	96	214	158	125	408	96	217	200	100	13
CHM12-20B	199	160	449	140	244	158	125	408	96	217	200	100	20
CHM12-25B	199	160	449	140	244	158	125	409	96	217	200	100	23
CHM12-30B	—	—	—	—	—	199	160	469	140	212	200	100	26



# CHM16/20, 50Hz

## ● Performance curve

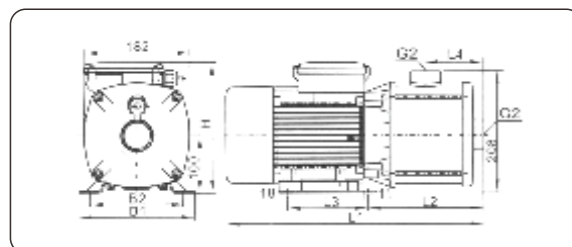
2900rpm



## ● Performance table

MODEL	POWER (kW)	Q (m³/h)	8	10	12	14	16	18	20	22
CHM16-1	1.1	H (m)	12.8	12.5	12	11.5	10.5	9.5	8	7
CHM16-2	2.2		26	25	24	23	21.7	20	18	15.5
CHM16-3	3		40	39	38	36	34	31.5	29	25
CHM16-4	4		53.5	52	50	48	45	42	38	33.5

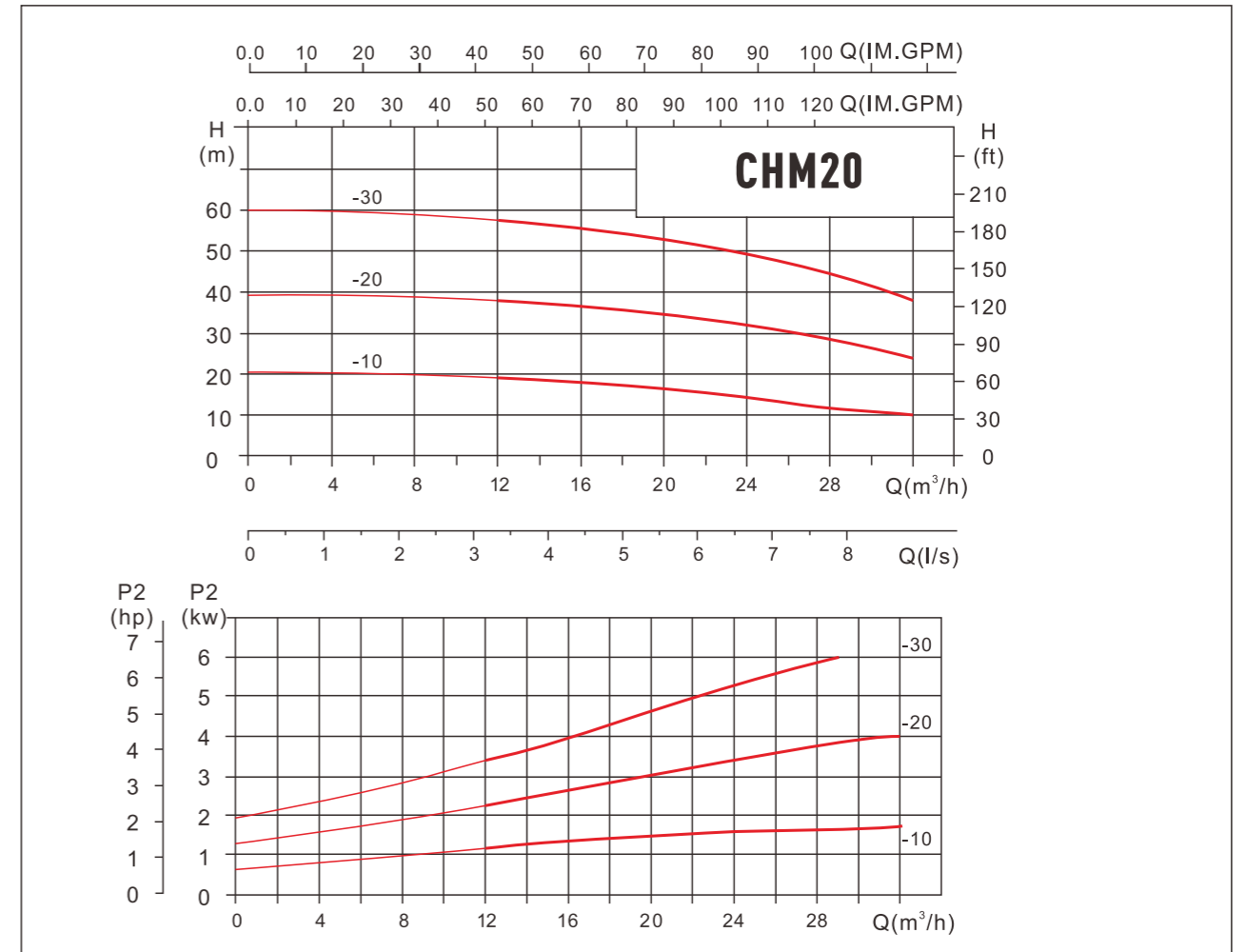
## ● Installation sketch



Model	Dimensions(mm)											Weight (kg)	
	Single					Three Phase					L2		L4
	B1	B2	L1	L3	H	B1	B2	L1	L3	H			
CHM16-10	158	125	408	96	209	158	125	408	96	212	215	130	13
CHM16-20	158	125	439	96	232	158	125	439	96	217	230	130	16
CHM16-30	199	160	480	140	244	199	160	580	140	212	230	130	22
CHM16-40	—	—	—	—	—	199	160	545	140	212	275	175	27

## ● Performance curve

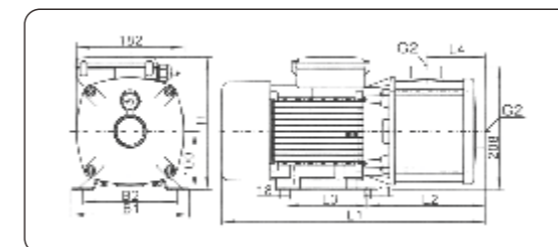
2900rpm



## ● Performance table

Model	Driving motor		Q (m³/h)	10	12	14	16	18	20	22	24	26	28
	(kw)	(hp)		H (m)	10	12	14	16	18	20	22	24	26
CHM20-1	1.1	1.6	H (m)	13.5	13	12.5	12	11	10	9	8	7	6
CHM20-2	2.2	3		27	26.5	25.5	25	23.5	22	20.5	18.5	17	14.5
CHM20-3	4	5.5		39.5	39	38	37.5	35.5	34	31.5	29	26	23

## ● Installation sketch



Model	Dimensions(mm)											Weight (kg)	
	Single					Three Phase					L2		L4
	B1	B2	L1	L3	H	B1	B2	L1	L3	H			
CHM20-10	158	125	408	96	209	158	125	408	96	212	215	130	19
CHM20-20	199	160	480	140	244	199	125	439	96	217	230	130	21
CHM20-30	—	—	—	—	—	199	160	500	140	212	230	130	24